



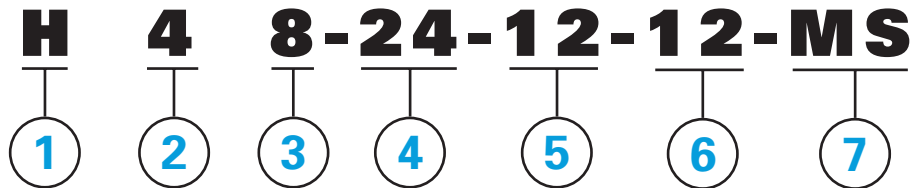
MARINE & OFFSHORE CATALOG

Ladder Tray Systems

3340-B Greens Road Ste. 500 • Houston, TX 77032
Office: 281.219.1762 • Fax: 281.590.9366
www.ocean-1.com

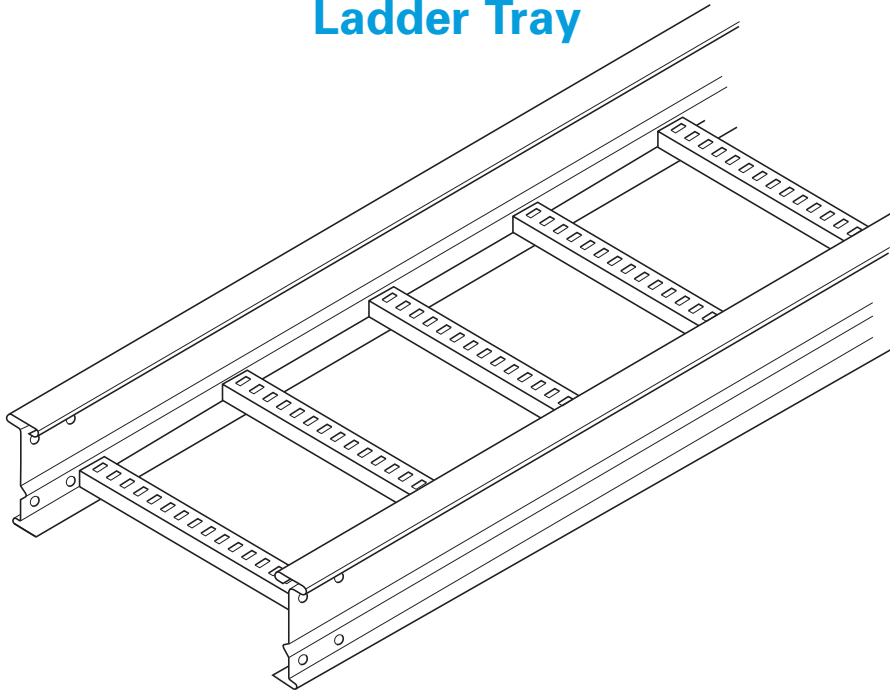
Cable Tray Part Numbering System

Example Part No.: H48-24-12-12-MS

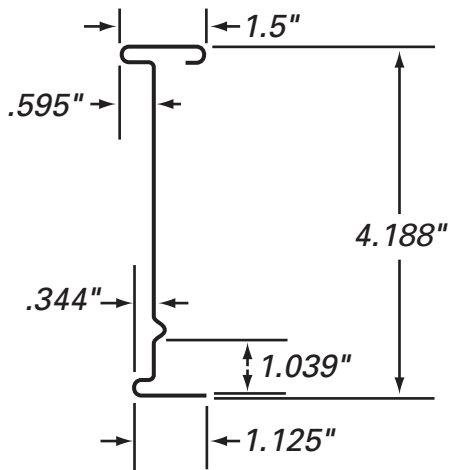
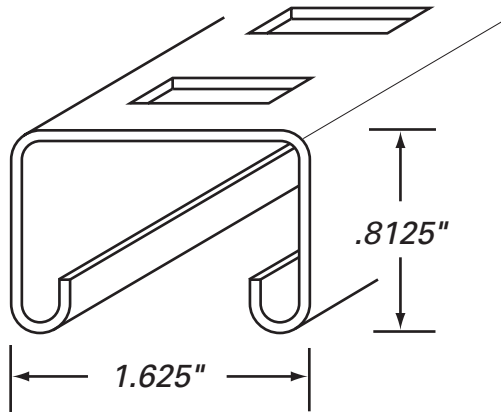


- | | |
|--|--|
| <p>① Material/Finish</p> <ul style="list-style-type: none">P Pre-GalvanizedH Hot Dipped GalvanizedSS4 304 Stainless SteelSS6 316 Stainless Steel | <p>⑤ Rung Space</p> <ul style="list-style-type: none">06"09"12"15" |
| <p>② Rail Height</p> <ul style="list-style-type: none">4"5"6"7" | <p>⑥ Length</p> <ul style="list-style-type: none">12'24' |
| <p>③ Gauge</p> <ul style="list-style-type: none">18 = 816 = 614 = 4 | <p>⑦ Rung Type</p> <ul style="list-style-type: none">Marine Slot Strut |
| <p>④ Width</p> <ul style="list-style-type: none">06"09"12"18"24"30"36" | |

Ladder Tray

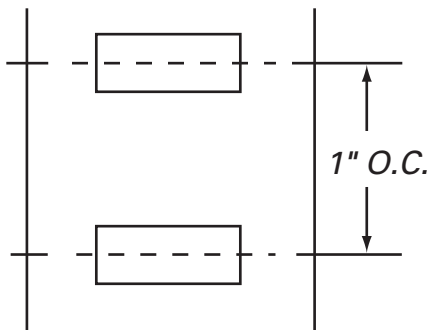


4" Siderail

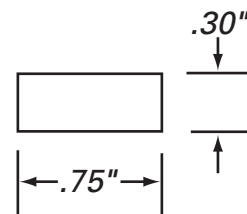


NEMA Class Rating Gauge

12C	18 GA
20A	16 GA
20B	14 GA



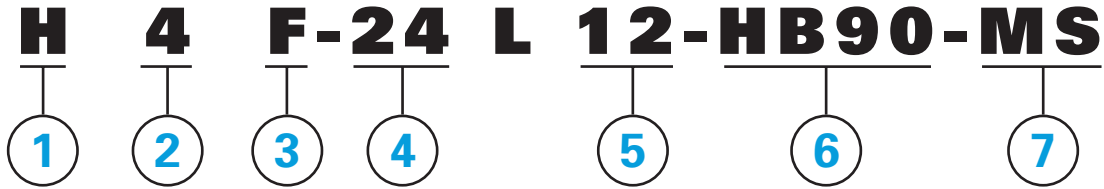
Slot Size





Cable Tray Fitting Part Numbering System

Example Part No.: H4F-24L12-HB90-MS



- 1 Material/Finish**
- P Pre-Galvanized
 - H Hot Dipped Galvanized
 - SS4 304 Stainless Steel
 - SS6 316 Stainless Steel

- 2 Rail Height**
- 4"
 - 5"
 - 6"
 - 7"

- 3 Series**
- F = Fitting

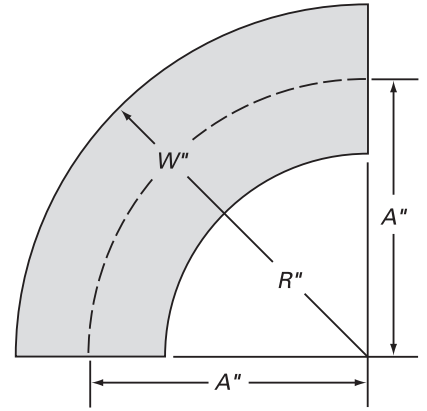
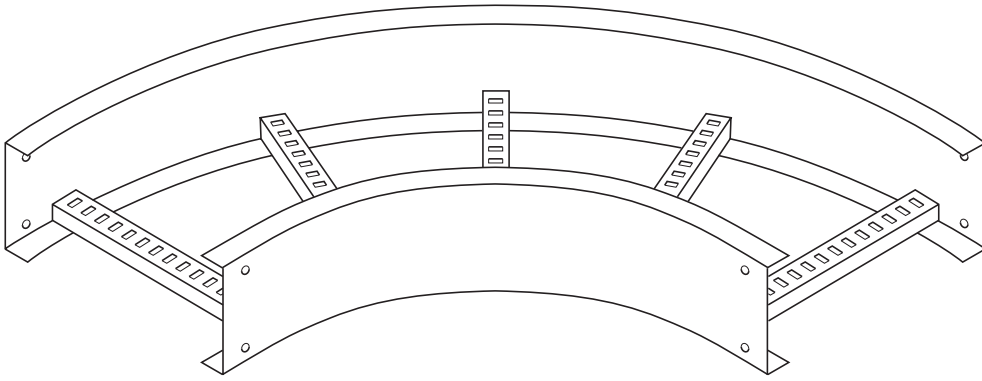
- 4 Width**
- 06"
 - 09"
 - 12"
 - 18"
 - 24"
 - 30"
 - 36"

- 5 Radius**
- 12"
 - 24"

- 6 Fitting Type**
- HB Horizontal - 30° 45° 60° 90°
 - VO Vertical Outside - 30° 45° 60° 90°
 - VI Vertical Inside - 30° 45° 60° 90°
 - HT Horizontal Tee
 - HC Horizontal Cross
 - SR Straight Reducers
 - RR Right Hand Reducers
 - LR Left Hand Reducers

- 7 Rung Type**
- Marine Slot Strut

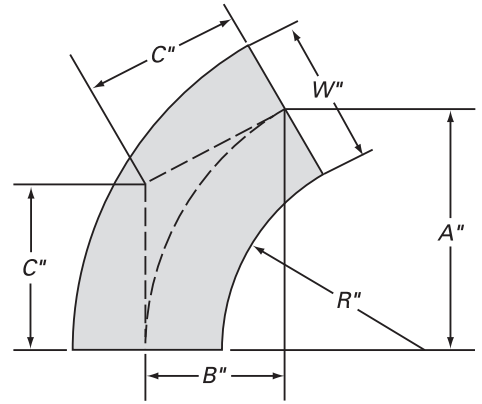
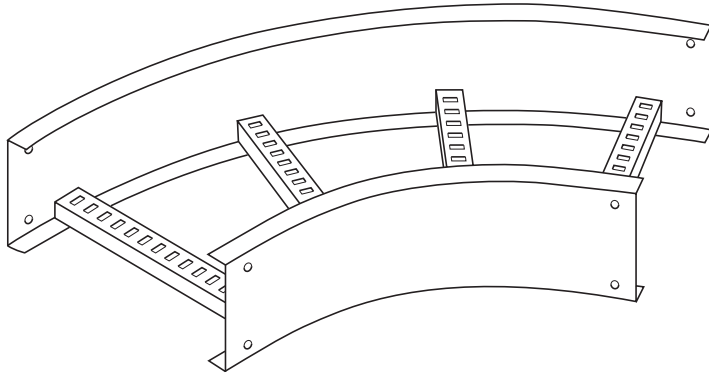
90° Horizontal Elbow



Catalog Number

Series*	Width (in.)	Bottom Style	Radius (in.)	Fitting Type	Dimensions A (in.)
(Series)*	6	(±)	12	H90	15.0
			24	H90	27.0
(Series)*	9	(±)	12	H90	16.5
			24	H90	28.5
(Series)*	12	(±)	12	H90	18.0
			24	H90	30.0
(Series)*	18	(±)	12	H90	21.0
			24	H90	33.0
(Series)*	24	(±)	12	H90	24.0
			24	H90	36.0
(Series)*	30	(±)	12	H90	27.0
			24	H90	39.0
(Series)*	36	(±)	12	H90	30.0
			24	H90	42.0

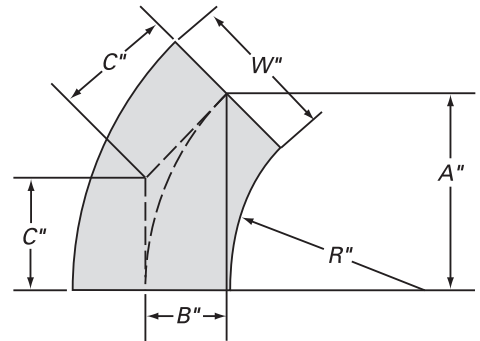
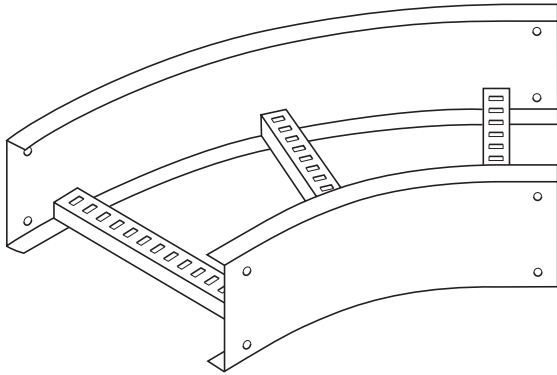
60° Horizontal Elbow



Catalog Number

Series*	Width (inches)	Bottom Style	Radius (inches)	Fitting Type	Dimensions (inches)		
					A	B	C
(Series)*	6	(±)	12	H60	13.0	7.5	8.7
				H60	23.4	13.5	15.6
(Series)*	9	(±)	12	H60	14.3	8.3	9.5
				H60	24.7	14.3	16.5
(Series)*	12	(±)	12	H60	15.6	9.0	10.4
				H60	26.0	15.0	17.3
(Series)*	18	(±)	12	H60	18.2	10.5	12.1
				H60	28.6	16.5	19.1
(Series)*	24	(±)	12	H60	20.8	12.0	13.9
				H60	31.2	18.0	20.8
(Series)*	30	(±)	12	H60	23.4	13.5	15.6
				H60	33.8	19.5	22.5
(Series)*	36	(±)	12	H60	26.0	15.0	17.3
				H60	36.4	21.0	24.2

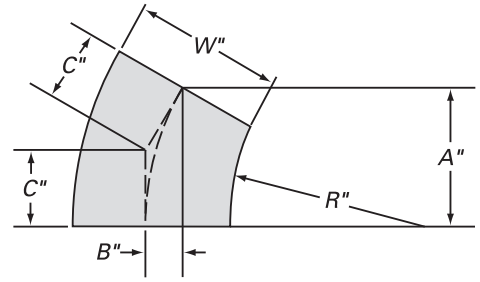
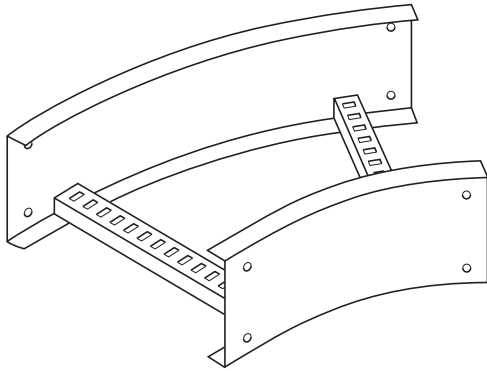
45° Horizontal Elbow



Catalog Number

Series*	Width (inches)	Bottom Style	Radius (inches)	Fitting Type	Dimensions (inches)		
					A	B	C
(Series)*	6	(±)	12	H45	10.6	4.4	6.2
				H45	19.1	7.9	11.2
(Series)*	9	(±)	12	H45	11.7	4.8	6.8
				H45	20.2	8.3	11.8
(Series)*	12	(±)	12	H45	12.7	5.3	7.5
				H45	21.2	8.8	12.4
(Series)*	18	(±)	12	H45	14.8	6.2	8.7
				H45	23.3	9.7	13.7
(Series)*	24	(±)	12	H45	17.0	7.0	9.9
				H45	25.5	10.5	14.9
(Series)*	30	(±)	12	H45	19.1	7.9	11.2
				H45	27.6	11.4	16.2
(Series)*	36	(±)	12	H45	21.2	8.8	12.4
				H45	29.7	12.3	17.4

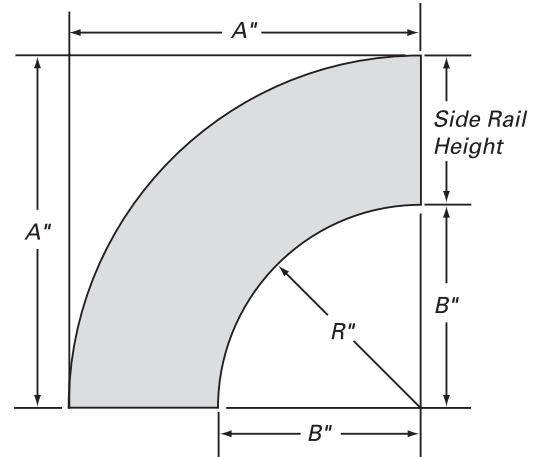
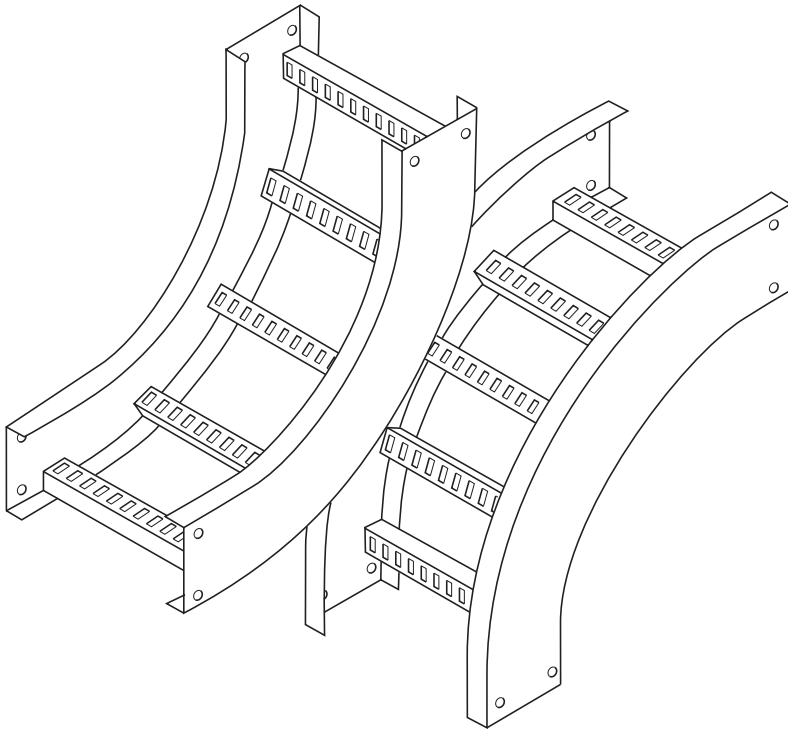
30° Horizontal Elbow



Catalog Number

Series*	Width (inches)	Bottom Style	Radius (inches)	Fitting Type	Dimensions (inches)		
					A	B	C
(Series)*	6	(±)	12	H30	7.5	2.0	4.0
				H30	13.5	3.6	7.2
(Series)*	9	(±)	12	H30	8.3	2.2	4.4
				H30	14.3	3.8	7.6
(Series)*	12	(±)	12	H30	9.0	2.4	4.8
				H30	15.0	4.0	8.0
(Series)*	18	(±)	12	H30	10.5	2.8	5.6
				H30	16.5	4.4	8.8
(Series)*	24	(±)	12	H30	12.0	3.2	6.4
				H30	18.0	4.8	9.6
(Series)*	30	(±)	12	H30	13.5	3.6	7.2
				H30	19.5	5.2	10.5
(Series)*	36	(±)	12	H30	15.0	4.0	8.0
				H30	21.0	5.6	11.3

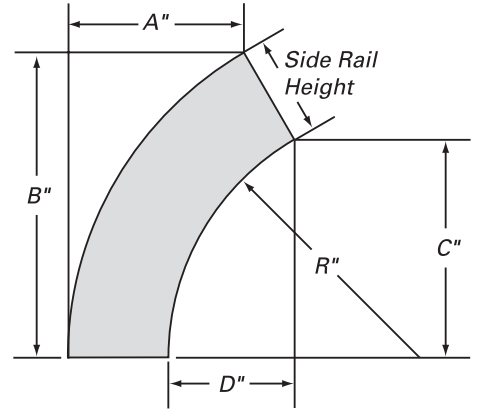
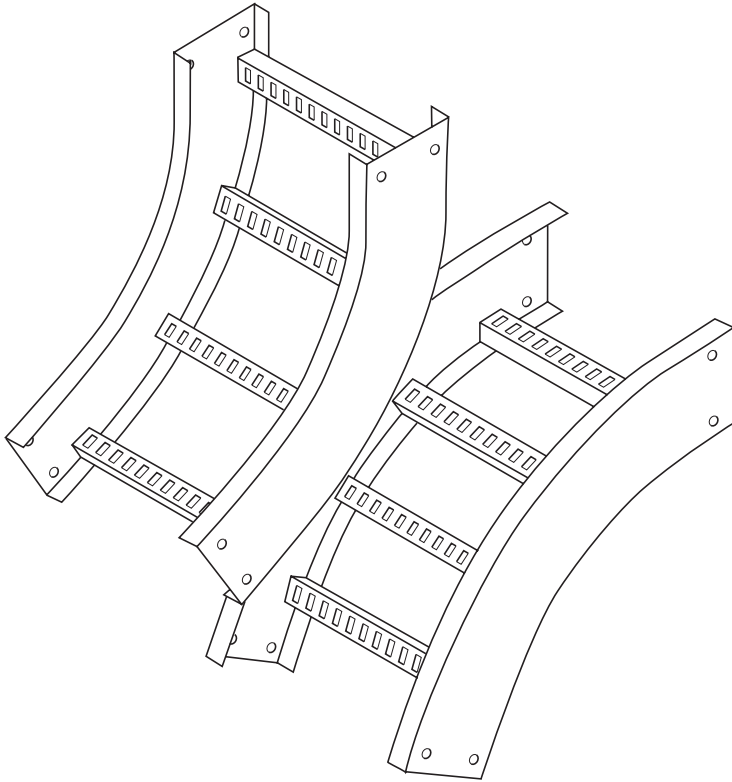
90° Inside • Outside Elbow



Catalog Number

Series*	Width (inches)	Bottom Style	Radius (inches)	Fitting Type	Siderail Height (inches)							
					4"-A	-B	5"-A	-B	6"-A	-B	7"-A	-B
(Series)*	6	(±)	12	(Δ)90	16.3	12.0	17.3	12.0	18.3	12.0	19.3	12.0
				(Δ)90	28.3	24.0	29.3	24.0	30.3	24.0	31.3	24.0
(Series)*	9	(±)	12	(Δ)90	16.3	12.0	17.3	12.0	18.3	12.0	19.3	12.0
				(Δ)90	28.3	24.0	29.3	24.0	30.3	24.0	31.3	24.0
(Series)*	12	(±)	12	(Δ)90	16.3	12.0	17.3	12.0	18.3	12.0	19.3	12.0
				(Δ)90	28.3	24.0	29.3	24.0	30.3	24.0	31.3	24.0
(Series)*	18	(±)	12	(Δ)90	16.3	12.0	17.3	12.0	18.3	12.0	19.3	12.0
				(Δ)90	28.3	24.0	29.3	24.0	30.3	24.0	31.3	24.0
(Series)*	24	(±)	12	(Δ)90	16.3	12.0	17.3	12.0	18.3	12.0	19.3	12.0
				(Δ)90	28.3	24.0	29.3	24.0	30.3	24.0	31.3	24.0
(Series)*	30	(±)	12	(Δ)90	16.3	12.0	17.3	12.0	18.3	12.0	19.3	12.0
				(Δ)90	28.3	24.0	29.3	24.0	30.3	24.0	31.3	24.0
(Series)*	36	(±)	12	(Δ)90	16.3	12.0	17.3	12.0	18.3	12.0	19.3	12.0
				(Δ)90	28.3	24.0	29.3	24.0	30.3	24.0	31.3	24.0

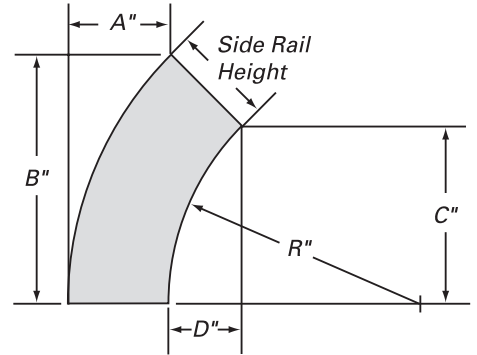
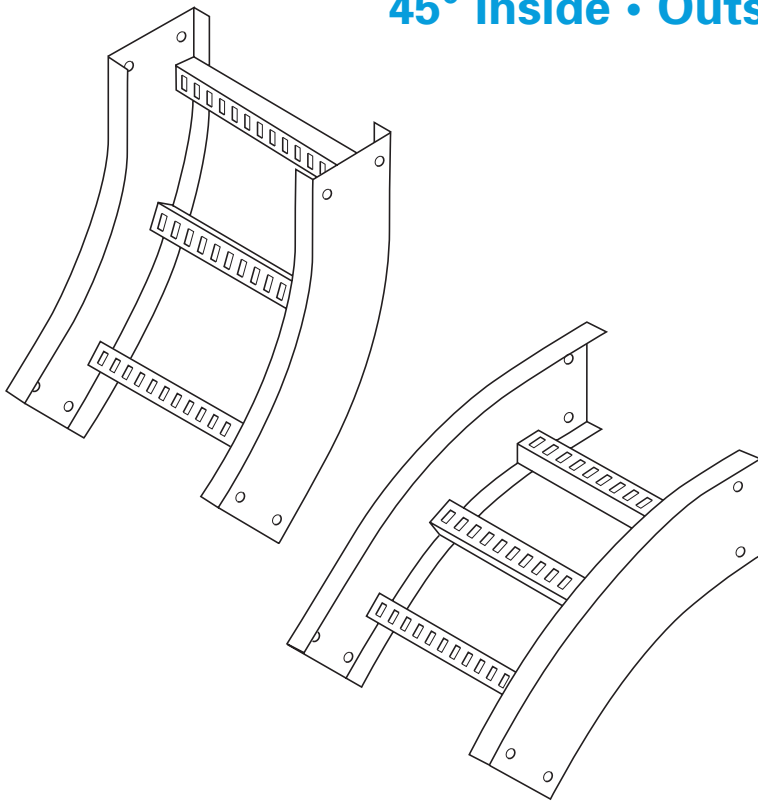
60° Inside • Outside Elbow



Catalog Number

Series*	Width (inches)	Bottom Style	Radius (inches)	Fitting Type	Siderail Height (inches)															
					4"-A	-B	-C	-D	5"-A	-B	-C	-D	6"-A	-B	-C	-D	7"-A	-B	-C	-D
(Series)* 6	6	(±)	12	(Δ)90	8.1	14.1	10.4	6.0	8.6	14.9	10.4	6.0	9.1	15.8	10.4	6.0	9.6	16.7	10.4	6.0
			24	(Δ)90	14.1	24.5	20.8	12.0	14.6	25.3	20.8	12.0	15.1	26.2	20.8	12.0	15.6	27.1	20.8	12.0
(Series)* 9	9	(±)	12	(Δ)90	8.1	14.1	10.4	6.0	8.6	14.9	10.4	6.0	9.1	15.8	10.4	6.0	9.6	16.7	10.4	6.0
			24	(Δ)90	14.1	24.5	20.8	12.0	14.6	25.3	20.8	12.0	15.1	26.2	20.8	12.0	15.6	27.1	20.8	12.0
(Series)* 12	12	(±)	12	(Δ)90	8.1	14.1	10.4	6.0	8.6	14.9	10.4	6.0	9.1	15.8	10.4	6.0	9.6	16.7	10.4	6.0
			24	(Δ)90	14.1	24.5	20.8	12.0	14.6	25.3	20.8	12.0	15.1	26.2	20.8	12.0	15.6	27.1	20.8	12.0
(Series)* 18	18	(±)	12	(Δ)90	8.1	14.1	10.4	6.0	8.6	14.9	10.4	6.0	9.1	15.8	10.4	6.0	9.6	16.7	10.4	6.0
			24	(Δ)90	14.1	24.5	20.8	12.0	14.6	25.3	20.8	12.0	15.1	26.2	20.8	12.0	15.6	27.1	20.8	12.0
(Series)* 24	24	(±)	12	(Δ)90	8.1	14.1	10.4	6.0	8.6	14.9	10.4	6.0	9.1	15.8	10.4	6.0	9.6	16.7	10.4	6.0
			24	(Δ)90	14.1	24.5	20.8	12.0	14.6	25.3	20.8	12.0	15.1	26.2	20.8	12.0	15.6	27.1	20.8	12.0
(Series)* 30	30	(±)	12	(Δ)90	8.1	14.1	10.4	6.0	8.6	14.9	10.4	6.0	9.1	15.8	10.4	6.0	9.6	16.7	10.4	6.0
			24	(Δ)90	14.1	24.5	20.8	12.0	14.6	25.3	20.8	12.0	15.1	26.2	20.8	12.0	15.6	27.1	20.8	12.0
(Series)* 36	36	(±)	12	(Δ)90	8.1	14.1	10.4	6.0	8.6	14.9	10.4	6.0	9.1	15.8	10.4	6.0	9.6	16.7	10.4	6.0
			24	(Δ)90	14.1	24.5	20.8	12.0	14.6	25.3	20.8	12.0	15.1	26.2	20.8	12.0	15.6	27.1	20.8	12.0
(Series)* 42	42	(±)	12	(Δ)90	8.1	14.1	10.4	6.0	8.6	14.9	10.4	6.0	9.1	15.8	10.4	6.0	9.6	16.7	10.4	6.0
			24	(Δ)90	14.1	24.5	20.8	12.0	14.6	25.3	20.8	12.0	15.1	26.2	20.8	12.0	15.6	27.1	20.8	12.0

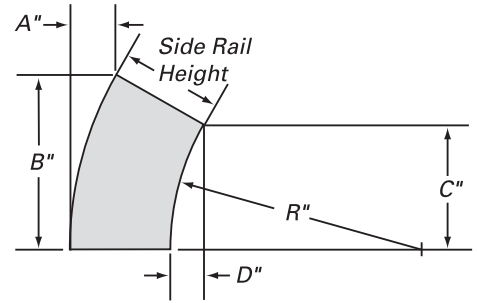
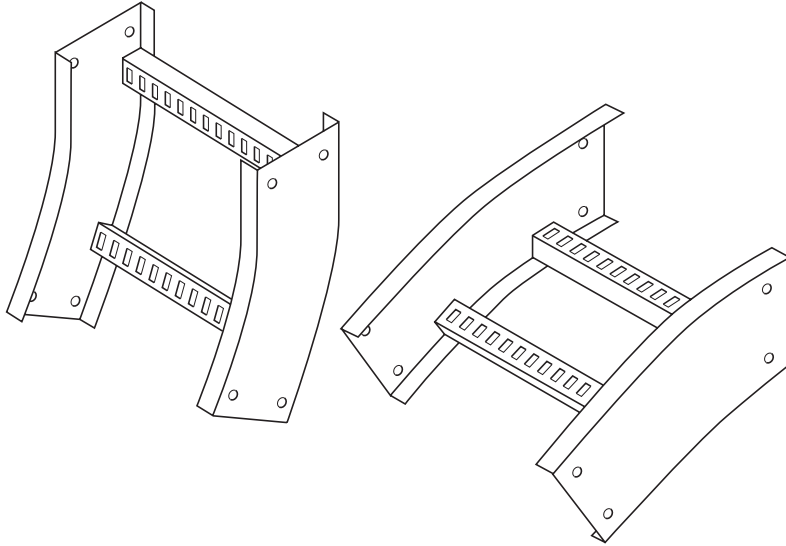
45° Inside • Outside Elbow



Catalog Number

Series*	Width (inches)	Bottom Style	Radius (inches)	Fitting Type	Siderail Height (inches)															
					4"-A	-B	-C	-D	5"-A	-B	-C	-D	6"-A	-B	-C	-D	7"-A	-B	-C	-D
(Series)*	6	(±)	12	(Δ)90	4.8	11.5	8.5	3.5	5.1	12.2	8.5	3.5	5.3	12.9	8.5	3.5	5.6	13.6	8.5	3.5
			24	(Δ)90	8.3	20.0	17.0	7.0	8.6	20.7	17.0	7.0	8.9	21.4	17.0	7.0	9.2	22.1	17.0	7.0
(Series)*	9	(±)	12	(Δ)90	4.8	11.5	8.5	3.5	8.6	14.9	8.5	3.5	5.3	12.9	8.5	3.5	5.6	13.6	8.5	3.5
			24	(Δ)90	8.3	20.0	17.0	7.0	14.6	25.3	17.0	7.0	8.9	21.4	17.0	7.0	9.2	22.1	17.0	7.0
(Series)*	12	(±)	12	(Δ)90	4.8	11.5	8.5	3.5	8.6	14.9	8.5	3.5	5.3	12.9	8.5	3.5	5.6	13.6	8.5	3.5
			24	(Δ)90	8.3	20.0	17.0	7.0	14.6	25.3	17.0	7.0	8.9	21.4	17.0	7.0	9.2	22.1	17.0	7.0
(Series)*	18	(±)	12	(Δ)90	4.8	11.5	8.5	3.5	8.6	14.9	8.5	3.5	5.3	12.9	8.5	3.5	5.6	13.6	8.5	3.5
			24	(Δ)90	8.3	20.0	17.0	7.0	14.6	25.3	17.0	7.0	8.9	21.4	17.0	7.0	9.2	22.1	17.0	7.0
(Series)*	24	(±)	12	(Δ)90	4.8	11.5	8.5	3.5	8.6	14.9	8.5	3.5	5.3	12.9	8.5	3.5	5.6	13.6	8.5	3.5
			24	(Δ)90	8.3	20.0	17.0	7.0	14.6	25.3	17.0	7.0	8.9	21.4	17.0	7.0	9.2	22.1	17.0	7.0
(Series)*	30	(±)	12	(Δ)90	4.8	11.5	8.5	3.5	8.6	14.9	8.5	3.5	5.3	12.9	8.5	3.5	5.6	13.6	8.5	3.5
			24	(Δ)90	8.3	20.0	17.0	7.0	14.6	25.3	17.0	7.0	8.9	21.4	17.0	7.0	9.2	22.1	17.0	7.0
(Series)*	36	(±)	12	(Δ)90	4.8	11.5	8.5	3.5	8.6	14.9	8.5	3.5	5.3	12.9	8.5	3.5	5.6	13.6	8.5	3.5
			24	(Δ)90	8.3	20.0	17.0	7.0	14.6	25.3	17.0	7.0	8.9	21.4	17.0	7.0	9.2	22.1	17.0	7.0

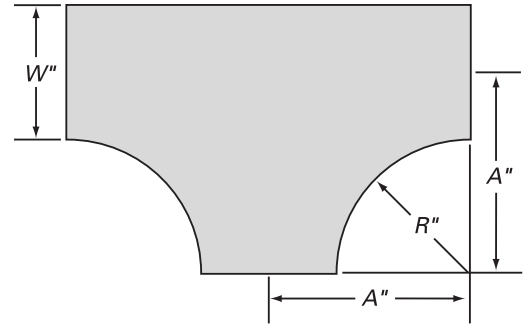
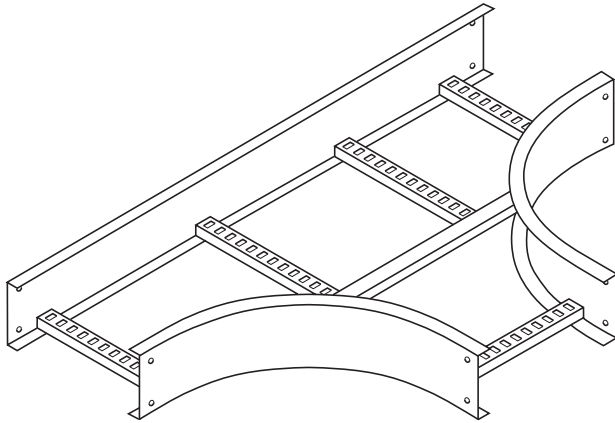
30° Inside • Outside Elbow



Catalog Number

Series*	Width (inches)	Bottom Style	Radius (inches)	Fitting Type	Siderail Height (inches)															
					4"-A	-B	-C	-D	5"-A	-B	-C	-D	6"-A	-B	-C	-D	7"-A	-B	-C	-D
(Series)*	6	(±)	12	(Δ)90	2.2	8.1	6.0	1.6	2.3	8.6	6.0	1.6	2.4	9.1	6.0	1.6	2.6	9.6	6.0	1.6
			24	(Δ)90	3.8	14.1	12.0	3.2	3.9	14.6	12.0	3.2	4.1	15.1	12.0	3.2	4.2	15.6	12.0	3.2
(Series)*	9	(±)	12	(Δ)90	2.2	8.1	6.0	1.6	2.3	8.6	6.0	1.6	2.4	9.1	6.0	1.6	2.6	9.6	6.0	1.6
			24	(Δ)90	3.8	14.1	12.0	3.2	3.9	14.6	12.0	3.2	4.1	15.1	12.0	3.2	4.2	15.6	12.0	3.2
(Series)*	12	(±)	12	(Δ)90	2.2	8.1	6.0	1.6	2.3	8.6	6.0	1.6	2.4	9.1	6.0	1.6	2.6	9.6	6.0	1.6
			24	(Δ)90	3.8	14.1	12.0	3.2	3.9	14.6	12.0	3.2	4.1	15.1	12.0	3.2	4.2	15.6	12.0	3.2
(Series)*	18	(±)	12	(Δ)90	2.2	8.1	6.0	1.6	2.3	8.6	6.0	1.6	2.4	9.1	6.0	1.6	2.6	9.6	6.0	1.6
			24	(Δ)90	3.8	14.1	12.0	3.2	3.9	14.6	12.0	3.2	4.1	15.1	12.0	3.2	4.2	15.6	12.0	3.2
(Series)*	24	(±)	12	(Δ)90	2.2	8.1	6.0	1.6	2.3	8.6	6.0	1.6	2.4	9.1	6.0	1.6	2.6	9.6	6.0	1.6
			24	(Δ)90	3.8	14.1	12.0	3.2	3.9	14.6	12.0	3.2	4.1	15.1	12.0	3.2	4.2	15.6	12.0	3.2
(Series)*	30	(±)	12	(Δ)90	2.2	8.1	6.0	1.6	2.3	8.6	6.0	1.6	2.4	9.1	6.0	1.6	2.6	9.6	6.0	1.6
			24	(Δ)90	3.8	14.1	12.0	3.2	3.9	14.6	12.0	3.2	4.1	15.1	12.0	3.2	4.2	15.6	12.0	3.2
(Series)*	36	(±)	12	(Δ)90	2.2	8.1	6.0	1.6	2.3	8.6	6.0	1.6	2.4	9.1	6.0	1.6	2.6	9.6	6.0	1.6
			24	(Δ)90	3.8	14.1	12.0	3.2	3.9	14.6	12.0	3.2	4.1	15.1	12.0	3.2	4.2	15.6	12.0	3.2

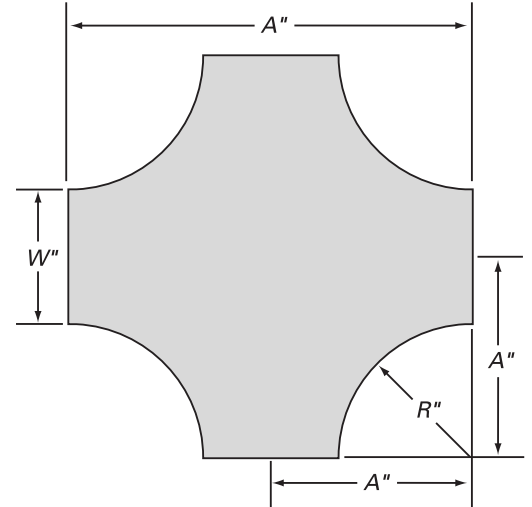
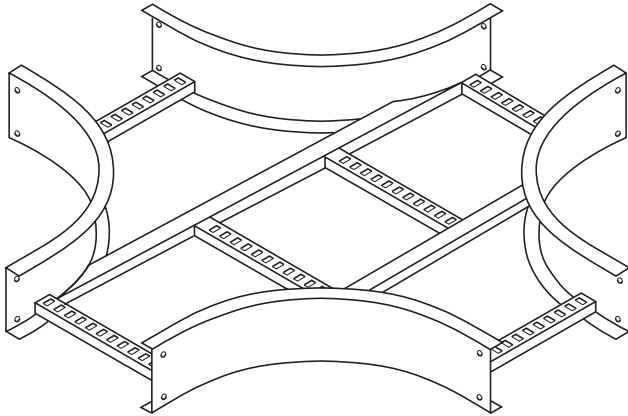
Horizontal Tee



Catalog Number

Series*	Width (inches)	Bottom Style	Radius (inches)	Fitting Type	Dimensions (inches)	
					A	C
(Series)*	6	(‡)	12	(Δ)	15.0	30.0
			24	(Δ)	27.0	54.0
(Series)*	9	(‡)	12	(Δ)	16.5	33.0
			24	(Δ)	28.5	57.0
(Series)*	12	(‡)	12	(Δ)	18.0	36.0
			24	(Δ)	30.0	60.0
(Series)*	18	(‡)	12	(Δ)	21.0	42.0
			24	(Δ)	33.0	66.0
(Series)*	24	(‡)	12	(Δ)	24.0	48.0
			24	(Δ)	36.0	72.0
(Series)*	30	(‡)	12	(Δ)	27.0	54.0
			24	(Δ)	39.0	78.0
(Series)*	36	(‡)	12	(Δ)	30.0	60.0
			24	(Δ)	42.0	84.0

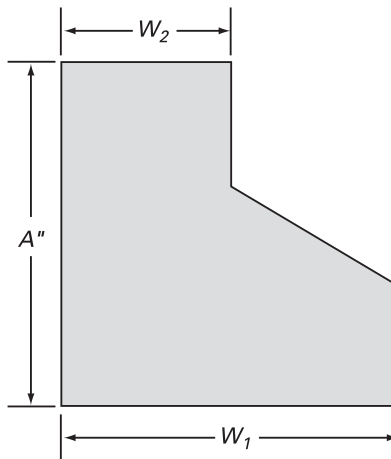
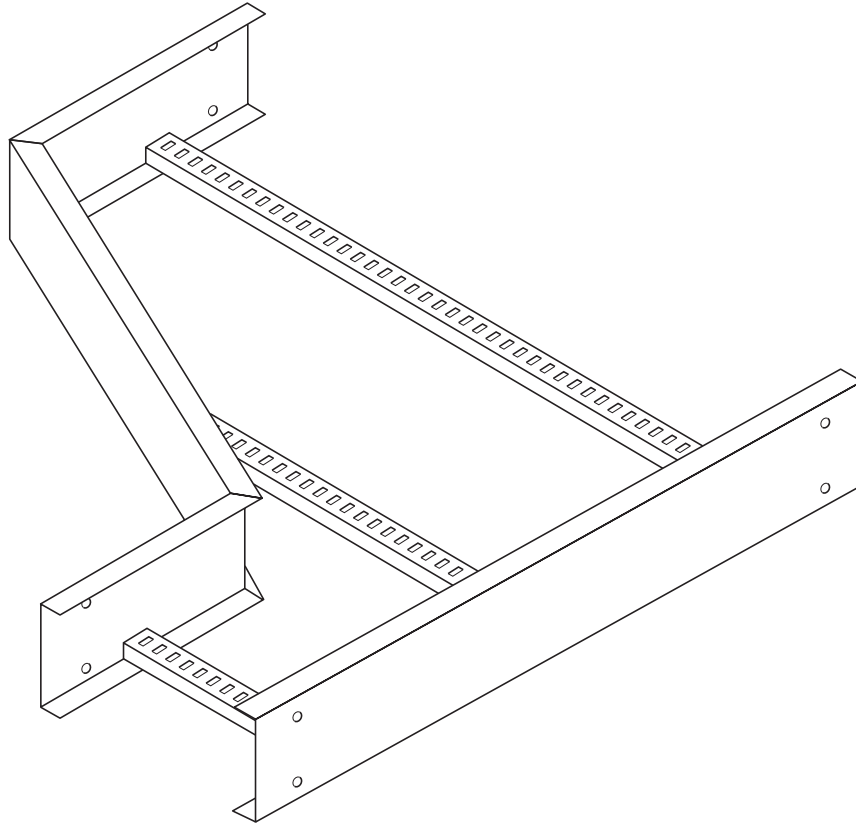
Horizontal Cross



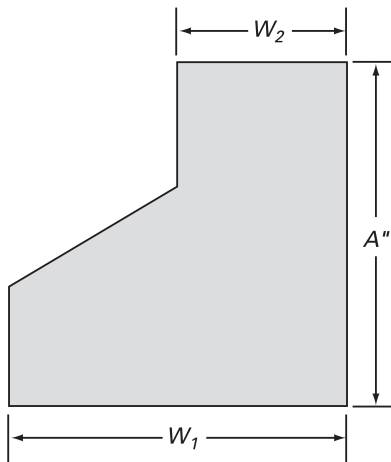
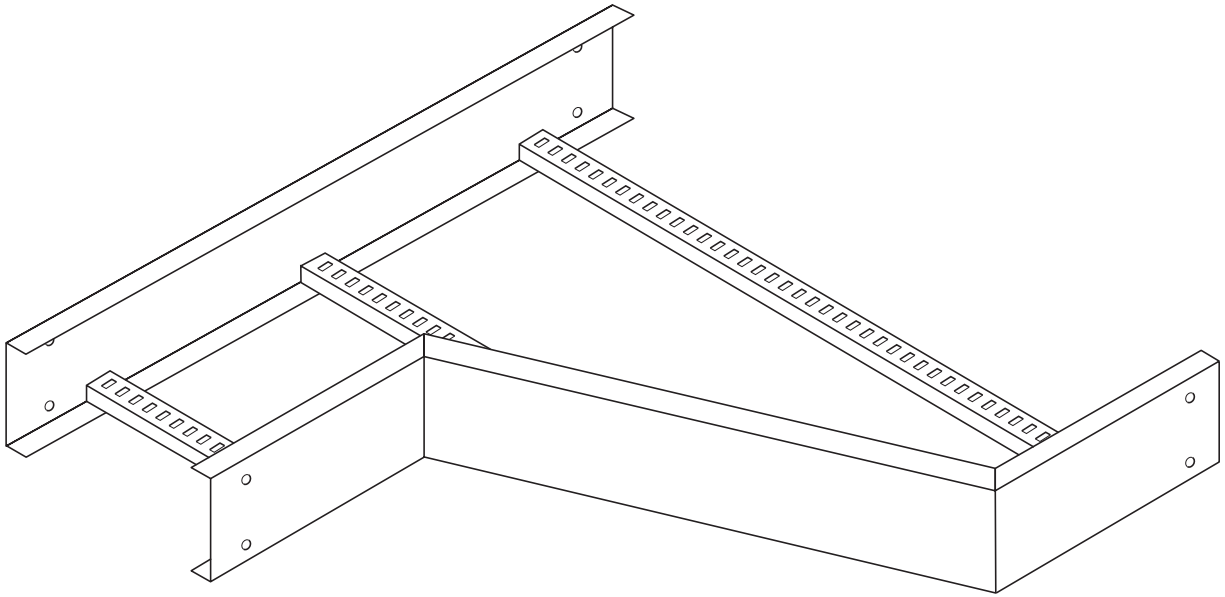
Catalog Number

Series*	Width (inches)	Bottom Style	Radius (inches)	Fitting Type	Dimensions (inches)	
					A	C
(Series)*	6	(‡)	12 24	(Δ)	15.0	30.0
				(Δ)	27.0	54.0
(Series)*	9	(‡)	12 24	(Δ)	16.5	33.0
				(Δ)	28.5	57.0
(Series)*	12	(‡)	12 24	(Δ)	18.0	36.0
				(Δ)	30.0	60.0
(Series)*	18	(‡)	12 24	(Δ)	21.0	42.0
				(Δ)	33.0	66.0
(Series)*	24	(‡)	12 24	(Δ)	24.0	48.0
				(Δ)	36.0	72.0
(Series)*	30	(‡)	12 24	(Δ)	27.0	54.0
				(Δ)	39.0	78.0
(Series)*	36	(‡)	12 24	(Δ)	30.0	60.0
				(Δ)	42.0	84.0

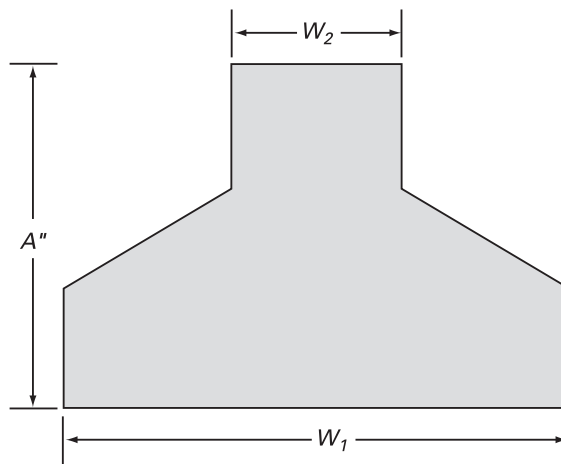
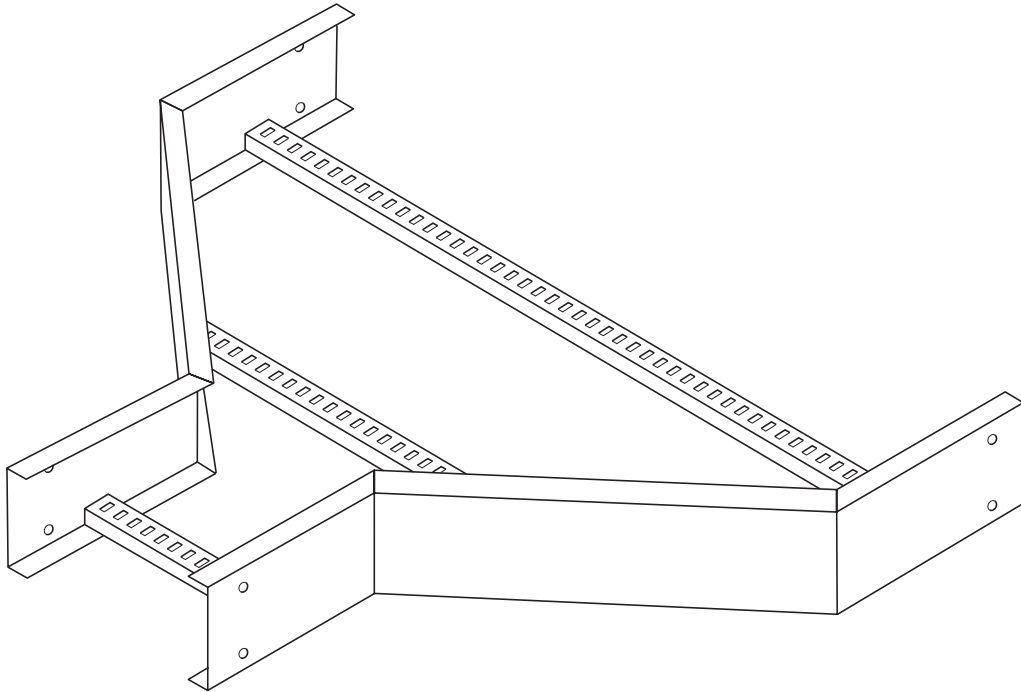
Horizontal Reducers • Left



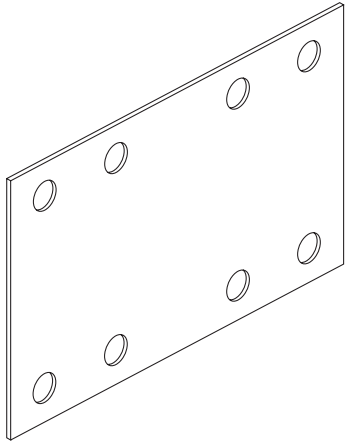
Horizontal Reducers • Right



Horizontal Reducers • Straight

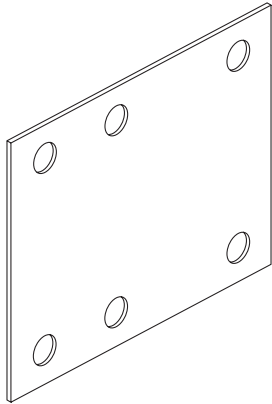


Cable Tray Accessories



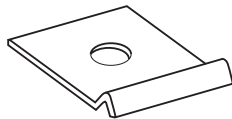
Straight Splice Kit

H4SC-B
S4SC-B



Fitting Splice Kit

H4SCF-B
S4SCF-B



Expansion Guide/Hold Down Clamp

PHDC
SHDC

P - Pre-Galvanized Steel
H - Hot-Dipped Galvanized Steel
S - 316 Stainless Steel

Horizontal Adjustable Splice

H4HAC-B
S4HAC-B

Vertical Adjustable Splice

H4VAC-B
S4VAC-B