



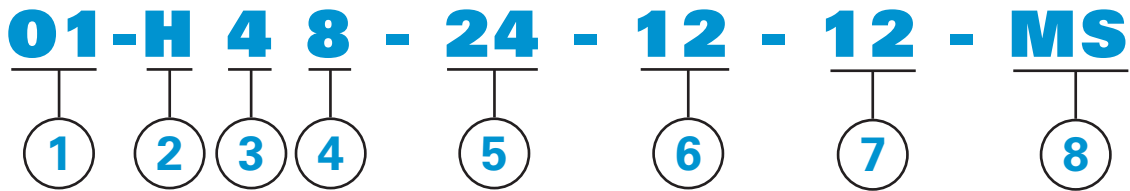
MARINE & OFFSHORE CATALOG

I-Beam Marine Ladder System

3340-B Greens Road Ste. 500 • Houston, TX 77032
Office: 281.219.1762 • Fax: 281.590.9366
sales@ocean-1.com • www.ocean-1.com

Cable Tray Part Numbering System

Example Part No.: O1-H48-24-12-12-MS



1 **Product Code**
O1 Ocean-1

2 **Material/Finish**
P Pre-Galvanized
H Hot Dipped Galvanized
S4 304 Stainless Steel
S6 316 Stainless Steel

3 **Side Rail Height**
4 = 4"
5 = 5"
6 = 6"
7 = 7"

4 **Gauge**
18 = 8 (Standard Gauge)
16 = 6
14 = 4

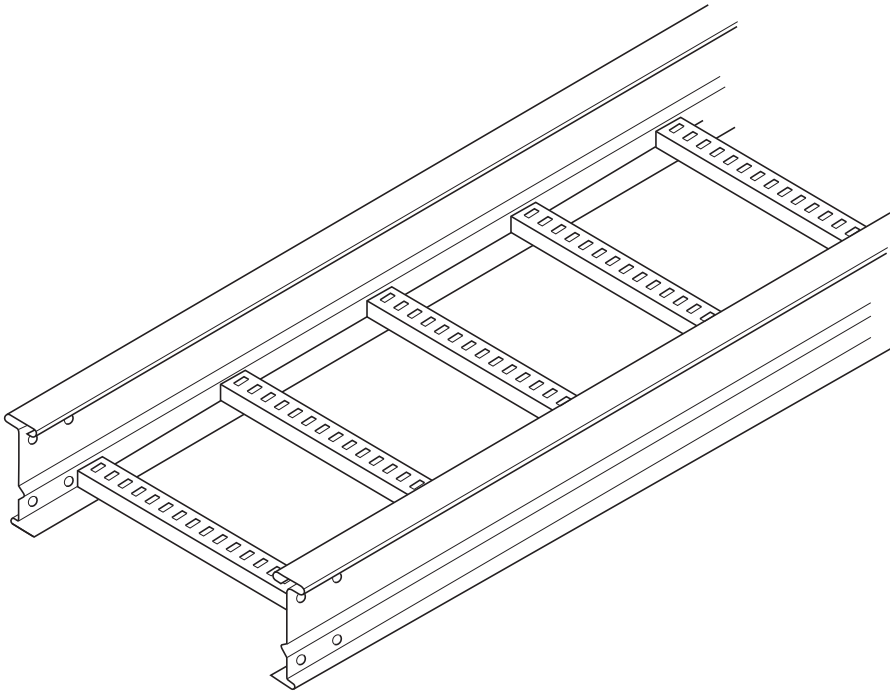
5 **Width**
06 = 6"
09 = 9"
12 = 12"
18 = 18"
24 = 24"
30 = 30"
36 = 36"

6 **Rung Space**
06 = 6"
09 = 9"
12 = 12" (Std. Stocked Rung Space)
15 = 15"

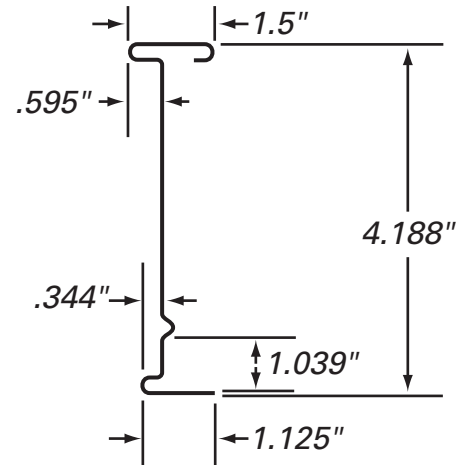
7 **Length**
12 = 12' (Std. Length)
24 = 24'

8 **Rung Type**
MS Marine Slotted

I-Beam Siderail Ladder Cable Tray

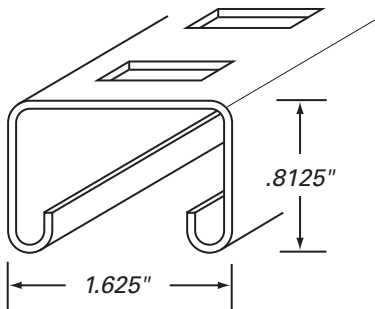


End View



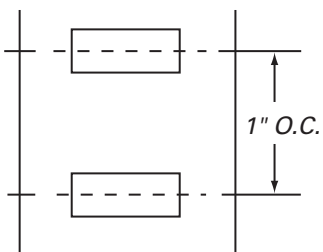
4" Siderail Example

Rung Detail

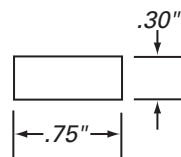


Features:

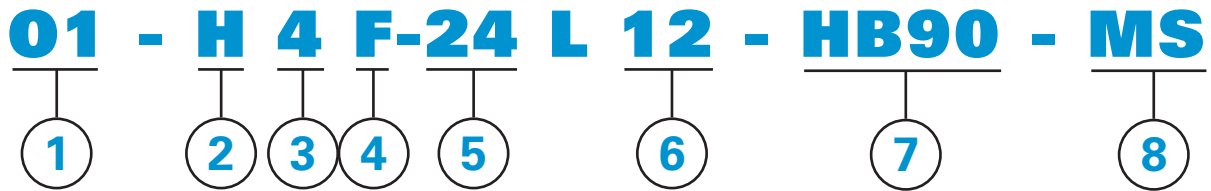
1. Siderail is roll formed for superior strength and offers a protective edge for cable roll-out.
2. Perforations in rungs accept 5/8" coated banding for securing cables.
3. Full Strut Rung.
4. Straight Sections supplied in 12' and 24' lengths.



Slot Size



Cable Tray Fitting Part Numbering System Example Part No.: O1-H4F-24L12-HB90-MS



1 **Product Code**
O1 Ocean-1

2 **Material/Finish**
P Pre-Galvanized
H Hot Dipped Galvanized
S4 304 Stainless Steel
S6 316 Stainless Steel

3 **Side Rail Height**
4 = 4"
5 = 5"
6 = 6"
7 = 7"

4 **Series**
F Fitting

5 **Width**
06 = 6"
09 = 9"
12 = 12"
18 = 18"
24 = 24"
30 = 30"
36 = 36"

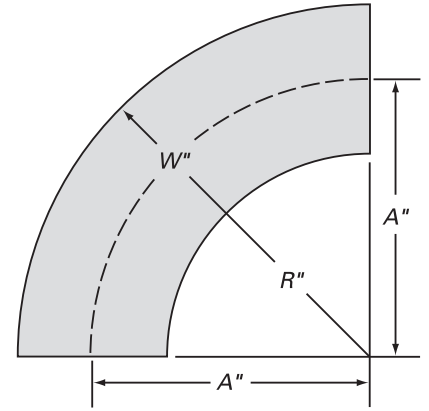
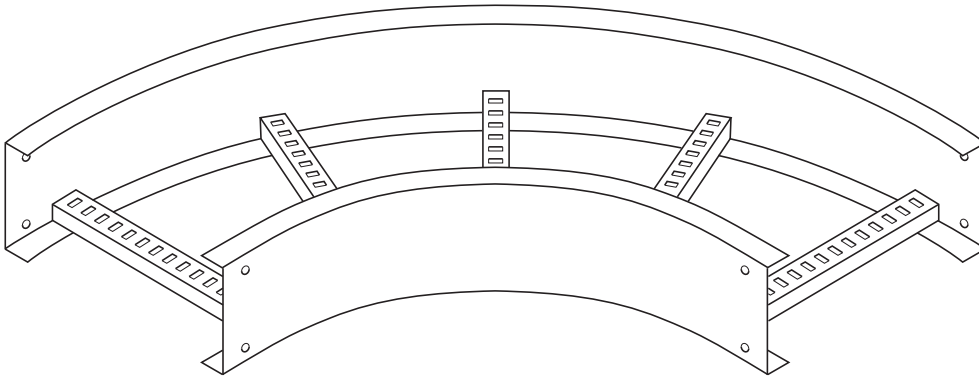
6 **Radius**
12 = 12"
24 = 24"

7 **Fitting Type**
HB Horizontal Bend - 30° 45° 60° 90°
VO Vertical Outside - 30° 45° 60° 90°
VI Vertical Inside - 30° 45° 60° 90°
HT Horizontal Tee
HC Horizontal Cross
SR Straight Reducers
RR Right Hand Reducers
LR Left Hand Reducers

8 **Rung Type**
MS Marine Slotted

90 Degree Horizontal Bend

Example Part No.: O1-H4F-12L12-HB90-MS

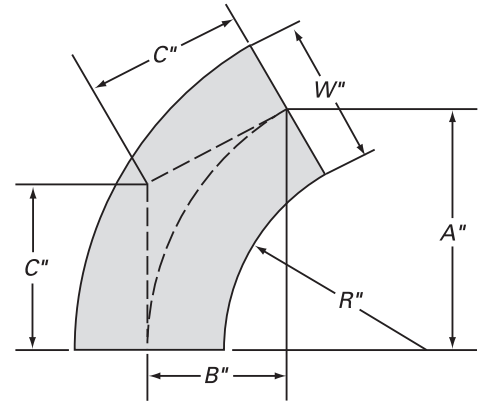
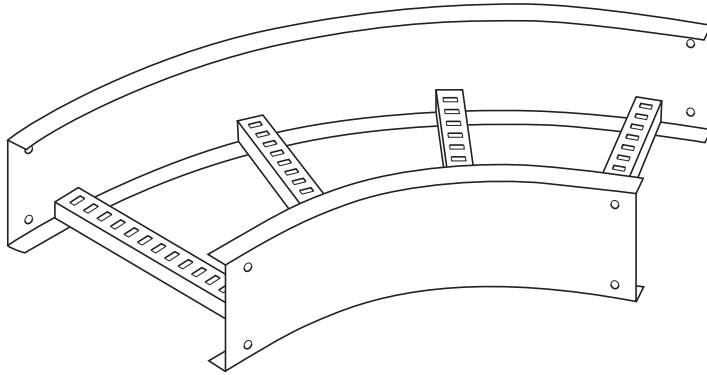


Catalog Number

Series*	Width (in.)	Bottom Style	Radius (in.)	Fitting Type	Dimensions A (in.)
(Series)*	6	(±)	12	H90	15.0
			24	H90	27.0
(Series)*	9	(±)	12	H90	16.5
			24	H90	28.5
(Series)*	12	(±)	12	H90	18.0
			24	H90	30.0
(Series)*	18	(±)	12	H90	21.0
			24	H90	33.0
(Series)*	24	(±)	12	H90	24.0
			24	H90	36.0
(Series)*	30	(±)	12	H90	27.0
			24	H90	39.0
(Series)*	36	(±)	12	H90	30.0
			24	H90	42.0

60 Degree Horizontal Bend

Example Part No.: O1-H4F-12L12-HB60-MS

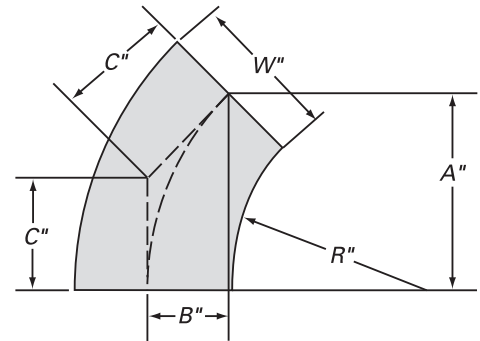
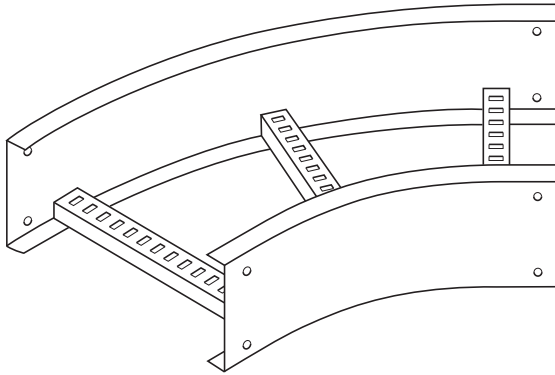


Catalog Number

Series*	Width (inches)	Bottom Style	Radius (inches)	Fitting Type	Dimensions (inches)		
					A	B	C
(Series)*	6	(±)	12	H60	13.0	7.5	8.7
				H60	23.4	13.5	15.6
(Series)*	9	(±)	12	H60	14.3	8.3	9.5
				H60	24.7	14.3	16.5
(Series)*	12	(±)	12	H60	15.6	9.0	10.4
				H60	26.0	15.0	17.3
(Series)*	18	(±)	12	H60	18.2	10.5	12.1
				H60	28.6	16.5	19.1
(Series)*	24	(±)	12	H60	20.8	12.0	13.9
				H60	31.2	18.0	20.8
(Series)*	30	(±)	12	H60	23.4	13.5	15.6
				H60	33.8	19.5	22.5
(Series)*	36	(±)	12	H60	26.0	15.0	17.3
				H60	36.4	21.0	24.2

45 Degree Horizontal Bend

Example Part No.: O1-H4F-12L12-HB45-MS

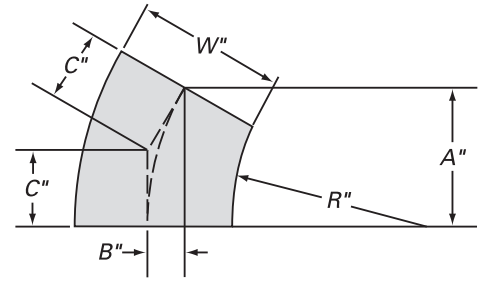
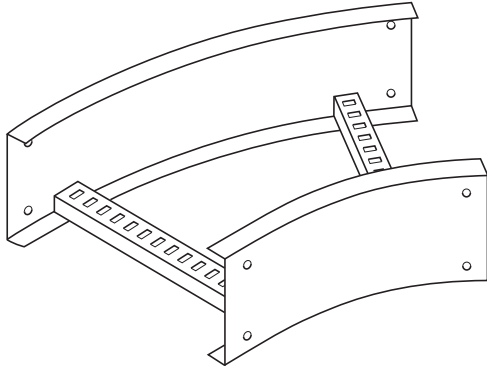


Catalog Number

Series*	Width (inches)	Bottom Style	Radius (inches)	Fitting Type	Dimensions (inches)		
					A	B	C
(Series)*	6	(±)	12	H45	10.6	4.4	6.2
				H45	19.1	7.9	11.2
(Series)*	9	(±)	12	H45	11.7	4.8	6.8
				H45	20.2	8.3	11.8
(Series)*	12	(±)	12	H45	12.7	5.3	7.5
				H45	21.2	8.8	12.4
(Series)*	18	(±)	12	H45	14.8	6.2	8.7
				H45	23.3	9.7	13.7
(Series)*	24	(±)	12	H45	17.0	7.0	9.9
				H45	25.5	10.5	14.9
(Series)*	30	(±)	12	H45	19.1	7.9	11.2
				H45	27.6	11.4	16.2
(Series)*	36	(±)	12	H45	21.2	8.8	12.4
				H45	29.7	12.3	17.4

30 Degree Horizontal Bend

Example Part No.: O1-H4F-12L12-HB30-MS

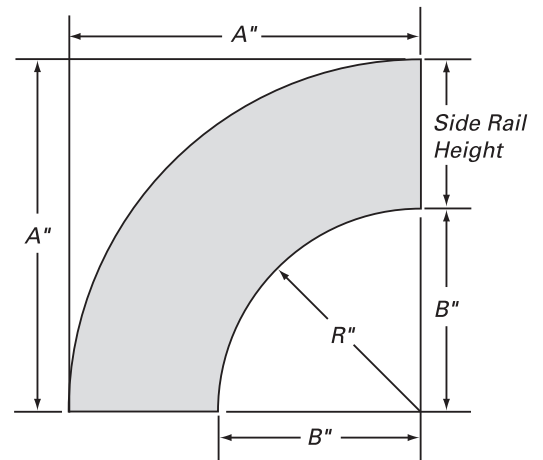
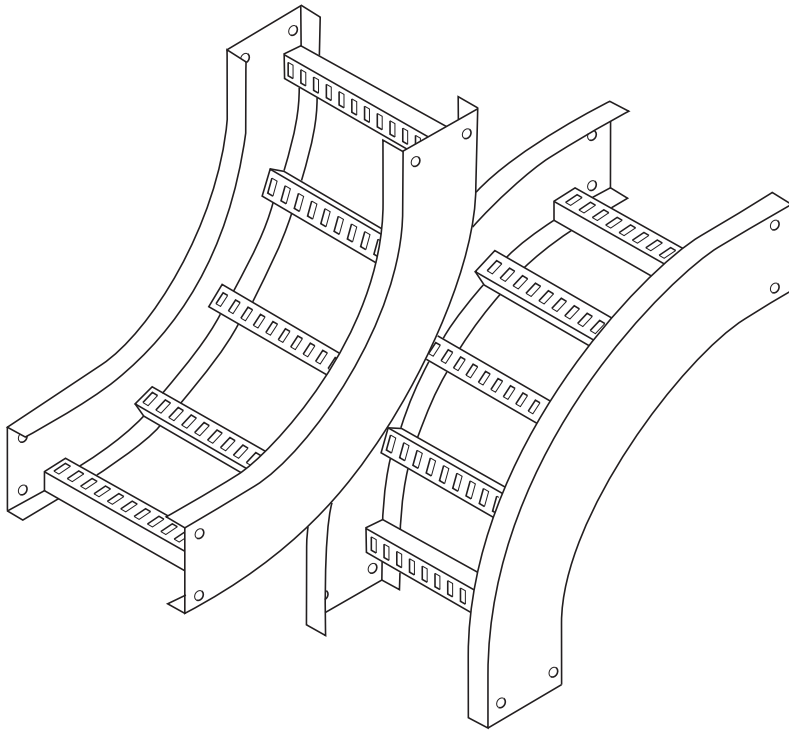


Catalog Number

Series*	Width (inches)	Bottom Style	Radius (inches)	Fitting Type	Dimensions (inches)		
					A	B	C
(Series)*	6	(±)	12	H30	7.5	2.0	4.0
				H30	13.5	3.6	7.2
(Series)*	9	(±)	12	H30	8.3	2.2	4.4
				H30	14.3	3.8	7.6
(Series)*	12	(±)	12	H30	9.0	2.4	4.8
				H30	15.0	4.0	8.0
(Series)*	18	(±)	12	H30	10.5	2.8	5.6
				H30	16.5	4.4	8.8
(Series)*	24	(±)	12	H30	12.0	3.2	6.4
				H30	18.0	4.8	9.6
(Series)*	30	(±)	12	H30	13.5	3.6	7.2
				H30	19.5	5.2	10.5
(Series)*	36	(±)	12	H30	15.0	4.0	8.0
				H30	21.0	5.6	11.3

90 Degree Vertical Inside & Outside

Example Part No.: O1-H4F-24L12-VI90-MS
O1-H4F-24L12-VO90-MS

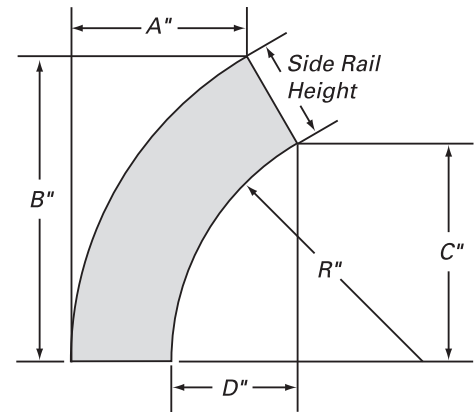
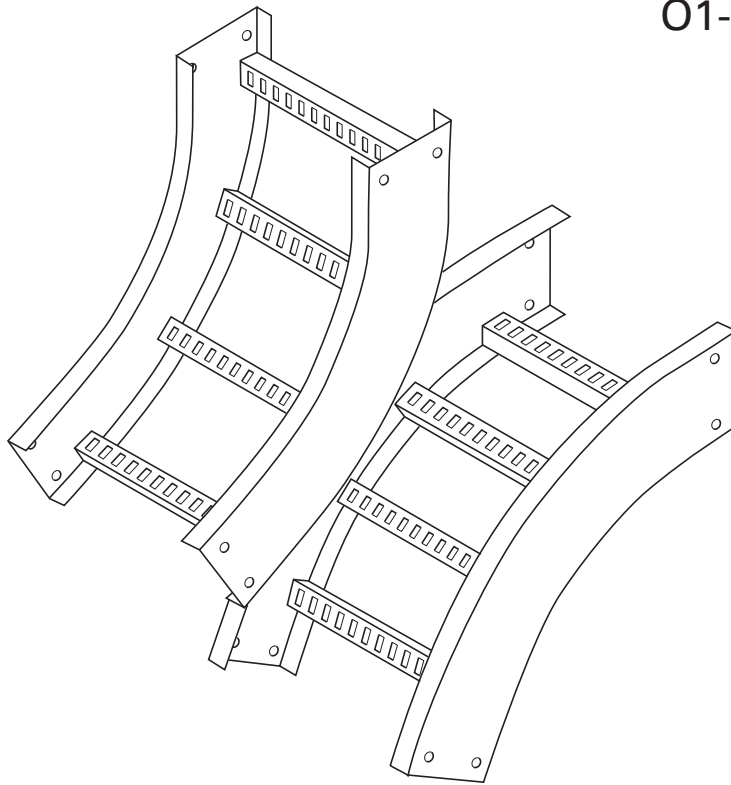


Catalog Number

Series*	Width (inches)	Bottom Style	Radius (inches)	Fitting Type	Siderail Height (inches)							
					4"-A	-B	5"-A	-B	6"-A	-B	7"-A	-B
(Series)*	6	(±)	12	(Δ)90	16.3	12.0	17.3	12.0	18.3	12.0	19.3	12.0
				(Δ)90	28.3	24.0	29.3	24.0	30.3	24.0	31.3	24.0
(Series)*	9	(±)	12	(Δ)90	16.3	12.0	17.3	12.0	18.3	12.0	19.3	12.0
				(Δ)90	28.3	24.0	29.3	24.0	30.3	24.0	31.3	24.0
(Series)*	12	(±)	12	(Δ)90	16.3	12.0	17.3	12.0	18.3	12.0	19.3	12.0
				(Δ)90	28.3	24.0	29.3	24.0	30.3	24.0	31.3	24.0
(Series)*	18	(±)	12	(Δ)90	16.3	12.0	17.3	12.0	18.3	12.0	19.3	12.0
				(Δ)90	28.3	24.0	29.3	24.0	30.3	24.0	31.3	24.0
(Series)*	24	(±)	12	(Δ)90	16.3	12.0	17.3	12.0	18.3	12.0	19.3	12.0
				(Δ)90	28.3	24.0	29.3	24.0	30.3	24.0	31.3	24.0
(Series)*	30	(±)	12	(Δ)90	16.3	12.0	17.3	12.0	18.3	12.0	19.3	12.0
				(Δ)90	28.3	24.0	29.3	24.0	30.3	24.0	31.3	24.0
(Series)*	36	(±)	12	(Δ)90	16.3	12.0	17.3	12.0	18.3	12.0	19.3	12.0
				(Δ)90	28.3	24.0	29.3	24.0	30.3	24.0	31.3	24.0

60 Degree Vertical Inside & Outside

Example Part No.: O1-H4F-24L12-VI60-MS
O1-H4F-24L12-VO60-MS

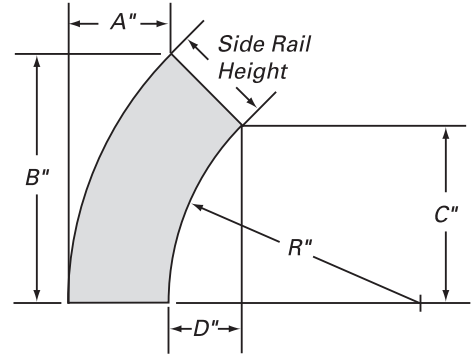
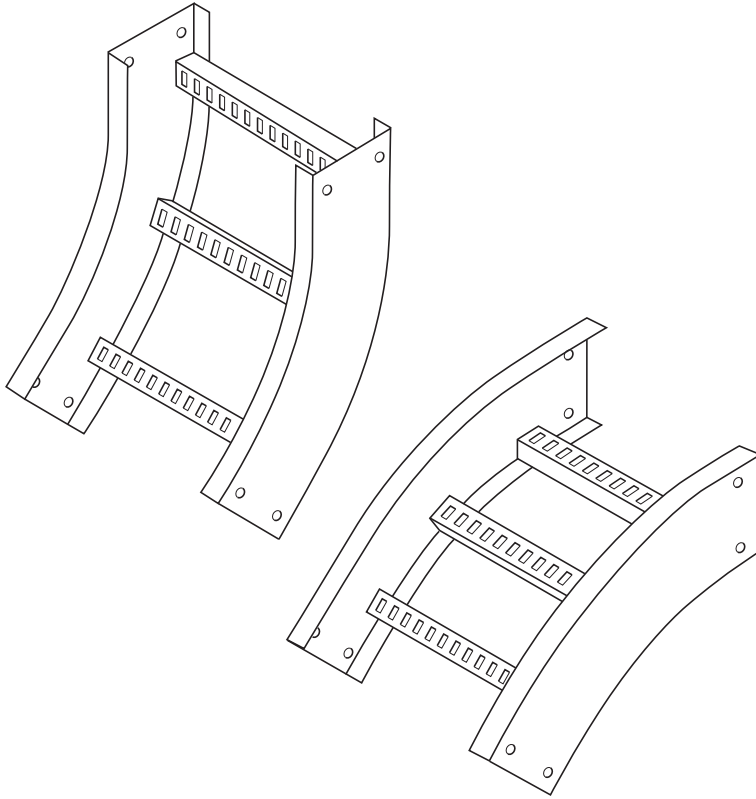


Catalog Number

Series*	Width (inches)	Bottom Style	Radius (inches)	Fitting Type	Siderail Height (inches)															
					4"-A	-B	-C	-D	5"-A	-B	-C	-D	6"-A	-B	-C	-D	7"-A	-B	-C	-D
(Series)* 6	6	(±)	12	(Δ)90	8.1	14.1	10.4	6.0	8.6	14.9	10.4	6.0	9.1	15.8	10.4	6.0	9.6	16.7	10.4	6.0
			24	(Δ)90	14.1	24.5	20.8	12.0	14.6	25.3	20.8	12.0	15.1	26.2	20.8	12.0	15.6	27.1	20.8	12.0
(Series)* 9	9	(±)	12	(Δ)90	8.1	14.1	10.4	6.0	8.6	14.9	10.4	6.0	9.1	15.8	10.4	6.0	9.6	16.7	10.4	6.0
			24	(Δ)90	14.1	24.5	20.8	12.0	14.6	25.3	20.8	12.0	15.1	26.2	20.8	12.0	15.6	27.1	20.8	12.0
(Series)* 12	12	(±)	12	(Δ)90	8.1	14.1	10.4	6.0	8.6	14.9	10.4	6.0	9.1	15.8	10.4	6.0	9.6	16.7	10.4	6.0
			24	(Δ)90	14.1	24.5	20.8	12.0	14.6	25.3	20.8	12.0	15.1	26.2	20.8	12.0	15.6	27.1	20.8	12.0
(Series)* 18	18	(±)	12	(Δ)90	8.1	14.1	10.4	6.0	8.6	14.9	10.4	6.0	9.1	15.8	10.4	6.0	9.6	16.7	10.4	6.0
			24	(Δ)90	14.1	24.5	20.8	12.0	14.6	25.3	20.8	12.0	15.1	26.2	20.8	12.0	15.6	27.1	20.8	12.0
(Series)* 24	24	(±)	12	(Δ)90	8.1	14.1	10.4	6.0	8.6	14.9	10.4	6.0	9.1	15.8	10.4	6.0	9.6	16.7	10.4	6.0
			24	(Δ)90	14.1	24.5	20.8	12.0	14.6	25.3	20.8	12.0	15.1	26.2	20.8	12.0	15.6	27.1	20.8	12.0
(Series)* 30	30	(±)	12	(Δ)90	8.1	14.1	10.4	6.0	8.6	14.9	10.4	6.0	9.1	15.8	10.4	6.0	9.6	16.7	10.4	6.0
			24	(Δ)90	14.1	24.5	20.8	12.0	14.6	25.3	20.8	12.0	15.1	26.2	20.8	12.0	15.6	27.1	20.8	12.0
(Series)* 36	36	(±)	12	(Δ)90	8.1	14.1	10.4	6.0	8.6	14.9	10.4	6.0	9.1	15.8	10.4	6.0	9.6	16.7	10.4	6.0
			24	(Δ)90	14.1	24.5	20.8	12.0	14.6	25.3	20.8	12.0	15.1	26.2	20.8	12.0	15.6	27.1	20.8	12.0
(Series)* 42	42	(±)	12	(Δ)90	8.1	14.1	10.4	6.0	8.6	14.9	10.4	6.0	9.1	15.8	10.4	6.0	9.6	16.7	10.4	6.0
			24	(Δ)90	14.1	24.5	20.8	12.0	14.6	25.3	20.8	12.0	15.1	26.2	20.8	12.0	15.6	27.1	20.8	12.0

45 Degree Vertical Inside & Outside

Example Part No.: O1-H4F-24L12-VI45-MS
O1-H4F-24L12-VO45-MS

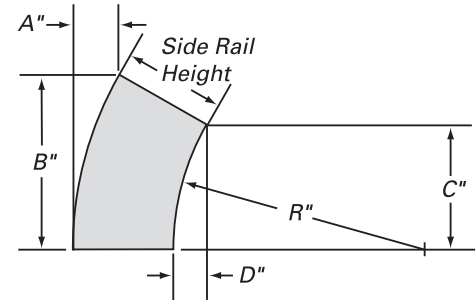
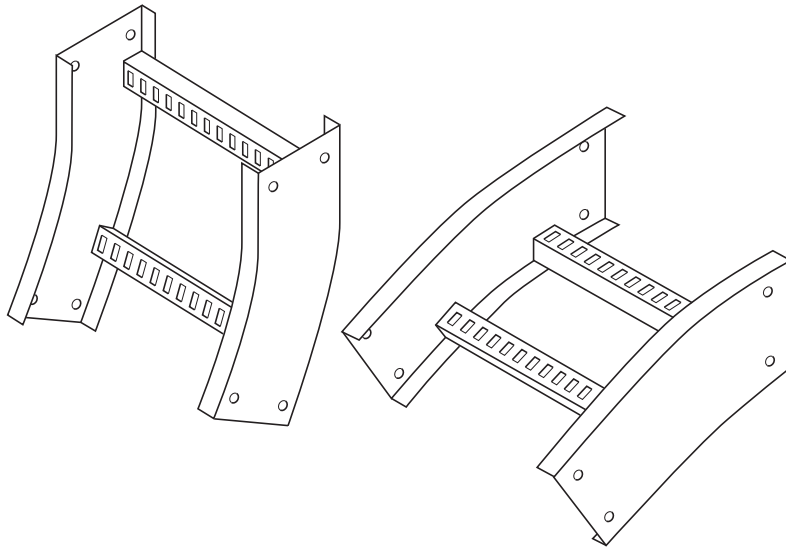


Catalog Number

Series*	Width (inches)	Bottom Style	Radius (inches)	Fitting Type	Siderail Height (inches)															
					4"-A	-B	-C	-D	5"-A	-B	-C	-D	6"-A	-B	-C	-D	7"-A	-B	-C	-D
(Series)*	6	(±)	12	(Δ)90	4.8	11.5	8.5	3.5	5.1	12.2	8.5	3.5	5.3	12.9	8.5	3.5	5.6	13.6	8.5	3.5
			24	(Δ)90	8.3	20.0	17.0	7.0	8.6	20.7	17.0	7.0	8.9	21.4	17.0	7.0	9.2	22.1	17.0	7.0
(Series)*	9	(±)	12	(Δ)90	4.8	11.5	8.5	3.5	8.6	14.9	8.5	3.5	5.3	12.9	8.5	3.5	5.6	13.6	8.5	3.5
			24	(Δ)90	8.3	20.0	17.0	7.0	14.6	25.3	17.0	7.0	8.9	21.4	17.0	7.0	9.2	22.1	17.0	7.0
(Series)*	12	(±)	12	(Δ)90	4.8	11.5	8.5	3.5	8.6	14.9	8.5	3.5	5.3	12.9	8.5	3.5	5.6	13.6	8.5	3.5
			24	(Δ)90	8.3	20.0	17.0	7.0	14.6	25.3	17.0	7.0	8.9	21.4	17.0	7.0	9.2	22.1	17.0	7.0
(Series)*	18	(±)	12	(Δ)90	4.8	11.5	8.5	3.5	8.6	14.9	8.5	3.5	5.3	12.9	8.5	3.5	5.6	13.6	8.5	3.5
			24	(Δ)90	8.3	20.0	17.0	7.0	14.6	25.3	17.0	7.0	8.9	21.4	17.0	7.0	9.2	22.1	17.0	7.0
(Series)*	24	(±)	12	(Δ)90	4.8	11.5	8.5	3.5	8.6	14.9	8.5	3.5	5.3	12.9	8.5	3.5	5.6	13.6	8.5	3.5
			24	(Δ)90	8.3	20.0	17.0	7.0	14.6	25.3	17.0	7.0	8.9	21.4	17.0	7.0	9.2	22.1	17.0	7.0
(Series)*	30	(±)	12	(Δ)90	4.8	11.5	8.5	3.5	8.6	14.9	8.5	3.5	5.3	12.9	8.5	3.5	5.6	13.6	8.5	3.5
			24	(Δ)90	8.3	20.0	17.0	7.0	14.6	25.3	17.0	7.0	8.9	21.4	17.0	7.0	9.2	22.1	17.0	7.0
(Series)*	36	(±)	12	(Δ)90	4.8	11.5	8.5	3.5	8.6	14.9	8.5	3.5	5.3	12.9	8.5	3.5	5.6	13.6	8.5	3.5
			24	(Δ)90	8.3	20.0	17.0	7.0	14.6	25.3	17.0	7.0	8.9	21.4	17.0	7.0	9.2	22.1	17.0	7.0

30 Degree Vertical Inside & Outside

Example Part No.: O1-H4F-24L12-VI30-MS
O1-H4F-24L12-VO30-MS

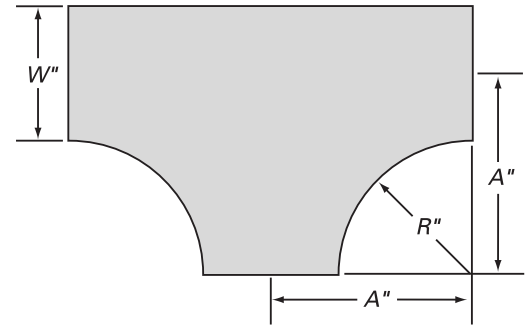
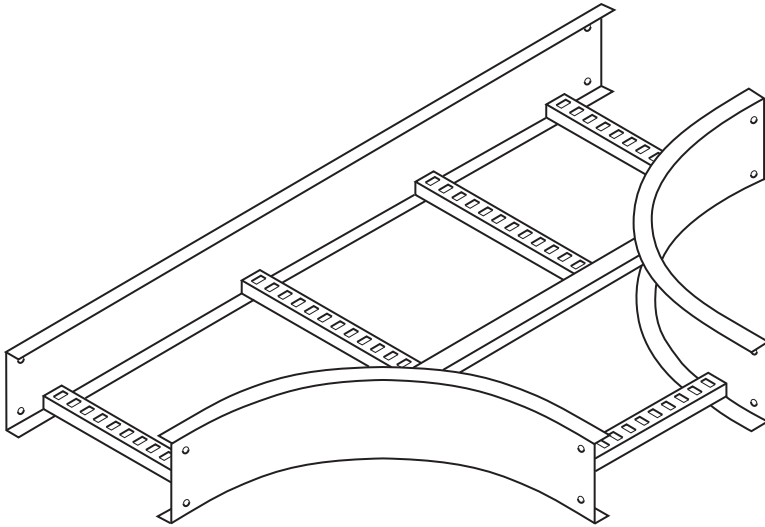


Catalog Number

Series*	Width (inches)	Bottom Style	Radius (inches)	Fitting Type	Siderail Height (inches)															
					4"-A	-B	-C	-D	5"-A	-B	-C	-D	6"-A	-B	-C	-D	7"-A	-B	-C	-D
(Series)*	6	(±)	12	(Δ)90	2.2	8.1	6.0	1.6	2.3	8.6	6.0	1.6	2.4	9.1	6.0	1.6	2.6	9.6	6.0	1.6
			24	(Δ)90	3.8	14.1	12.0	3.2	3.9	14.6	12.0	3.2	4.1	15.1	12.0	3.2	4.2	15.6	12.0	3.2
(Series)*	9	(±)	12	(Δ)90	2.2	8.1	6.0	1.6	2.3	8.6	6.0	1.6	2.4	9.1	6.0	1.6	2.6	9.6	6.0	1.6
			24	(Δ)90	3.8	14.1	12.0	3.2	3.9	14.6	12.0	3.2	4.1	15.1	12.0	3.2	4.2	15.6	12.0	3.2
(Series)*	12	(±)	12	(Δ)90	2.2	8.1	6.0	1.6	2.3	8.6	6.0	1.6	2.4	9.1	6.0	1.6	2.6	9.6	6.0	1.6
			24	(Δ)90	3.8	14.1	12.0	3.2	3.9	14.6	12.0	3.2	4.1	15.1	12.0	3.2	4.2	15.6	12.0	3.2
(Series)*	18	(±)	12	(Δ)90	2.2	8.1	6.0	1.6	2.3	8.6	6.0	1.6	2.4	9.1	6.0	1.6	2.6	9.6	6.0	1.6
			24	(Δ)90	3.8	14.1	12.0	3.2	3.9	14.6	12.0	3.2	4.1	15.1	12.0	3.2	4.2	15.6	12.0	3.2
(Series)*	24	(±)	12	(Δ)90	2.2	8.1	6.0	1.6	2.3	8.6	6.0	1.6	2.4	9.1	6.0	1.6	2.6	9.6	6.0	1.6
			24	(Δ)90	3.8	14.1	12.0	3.2	3.9	14.6	12.0	3.2	4.1	15.1	12.0	3.2	4.2	15.6	12.0	3.2
(Series)*	30	(±)	12	(Δ)90	2.2	8.1	6.0	1.6	2.3	8.6	6.0	1.6	2.4	9.1	6.0	1.6	2.6	9.6	6.0	1.6
			24	(Δ)90	3.8	14.1	12.0	3.2	3.9	14.6	12.0	3.2	4.1	15.1	12.0	3.2	4.2	15.6	12.0	3.2
(Series)*	36	(±)	12	(Δ)90	2.2	8.1	6.0	1.6	2.3	8.6	6.0	1.6	2.4	9.1	6.0	1.6	2.6	9.6	6.0	1.6
			24	(Δ)90	3.8	14.1	12.0	3.2	3.9	14.6	12.0	3.2	4.1	15.1	12.0	3.2	4.2	15.6	12.0	3.2

Horizontal Equal Tee

Example Part No.: O1-H4F-12/12L12-HT-MS

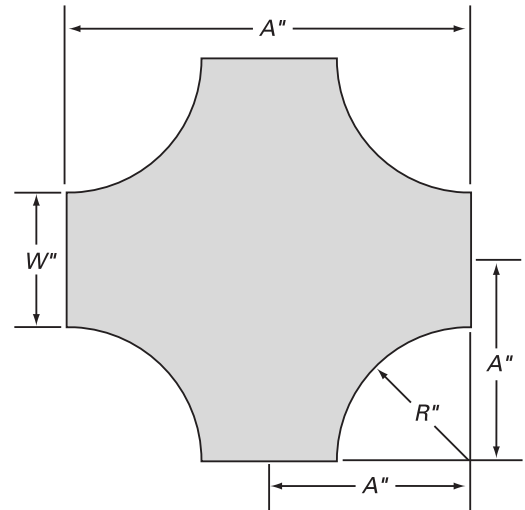
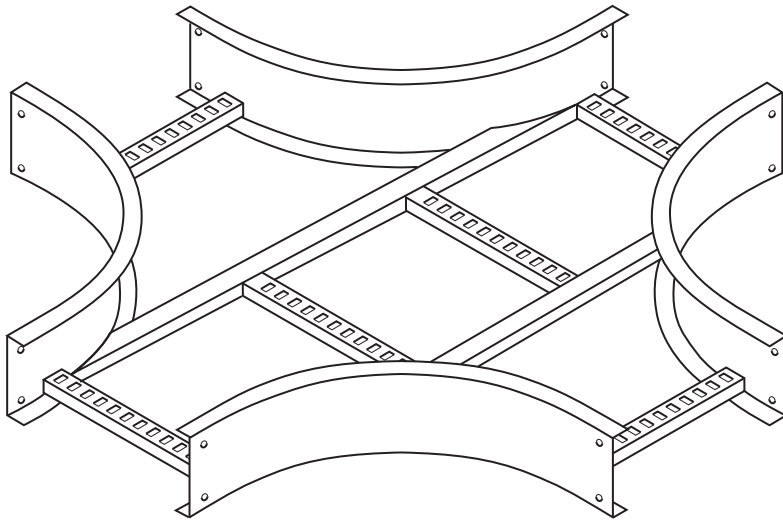


Catalog Number

Series*	Width (inches)	Bottom Style	Radius (inches)	Fitting Type	Dimensions (inches)	
					A	C
(Series)*	6	(‡)	12 24	(Δ) (Δ)	15.0	30.0
					27.0	54.0
(Series)*	9	(‡)	12 24	(Δ) (Δ)	16.5	33.0
					28.5	57.0
(Series)*	12	(‡)	12 24	(Δ) (Δ)	18.0	36.0
					30.0	60.0
(Series)*	18	(‡)	12 24	(Δ) (Δ)	21.0	42.0
					33.0	66.0
(Series)*	24	(‡)	12 24	(Δ) (Δ)	24.0	48.0
					36.0	72.0
(Series)*	30	(‡)	12 24	(Δ) (Δ)	27.0	54.0
					39.0	78.0
(Series)*	36	(‡)	12 24	(Δ) (Δ)	30.0	60.0
					42.0	84.0

Horizontal Equal Cross

Example Part No.: O1-H4F-12/12L12-HC-MS

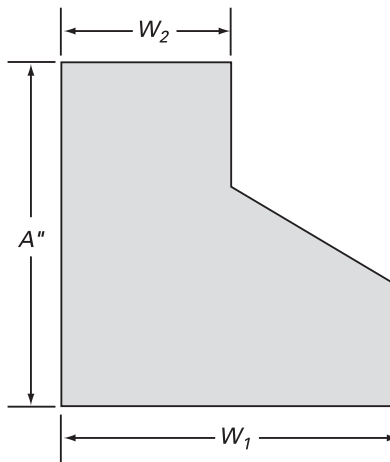
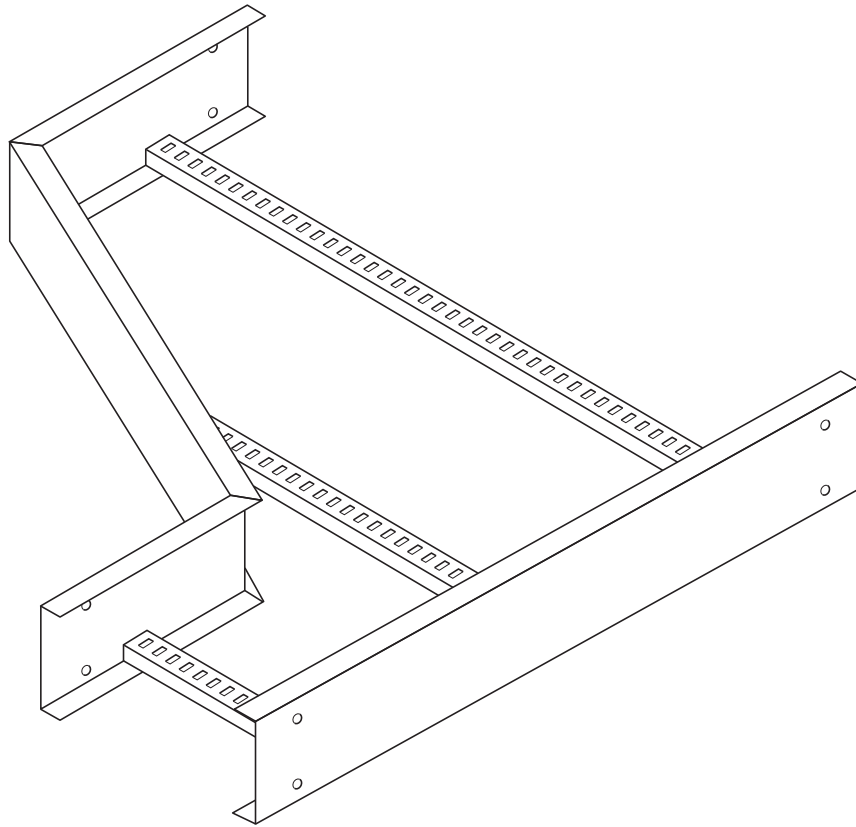


Catalog Number

Series*	Width (inches)	Bottom Style	Radius (inches)	Fitting Type	Dimensions (inches)	
					A	C
(Series)*	6	(‡)	12	(Δ)	15.0	30.0
				(Δ)	27.0	54.0
(Series)*	9	(‡)	12	(Δ)	16.5	33.0
				(Δ)	28.5	57.0
(Series)*	12	(‡)	12	(Δ)	18.0	36.0
				(Δ)	30.0	60.0
(Series)*	18	(‡)	12	(Δ)	21.0	42.0
				(Δ)	33.0	66.0
(Series)*	24	(‡)	12	(Δ)	24.0	48.0
				(Δ)	36.0	72.0
(Series)*	30	(‡)	12	(Δ)	27.0	54.0
				(Δ)	39.0	78.0
(Series)*	36	(‡)	12	(Δ)	30.0	60.0
				(Δ)	42.0	84.0

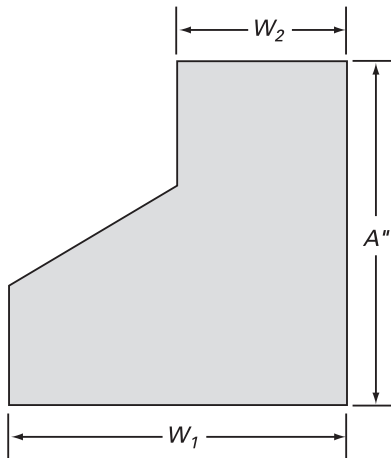
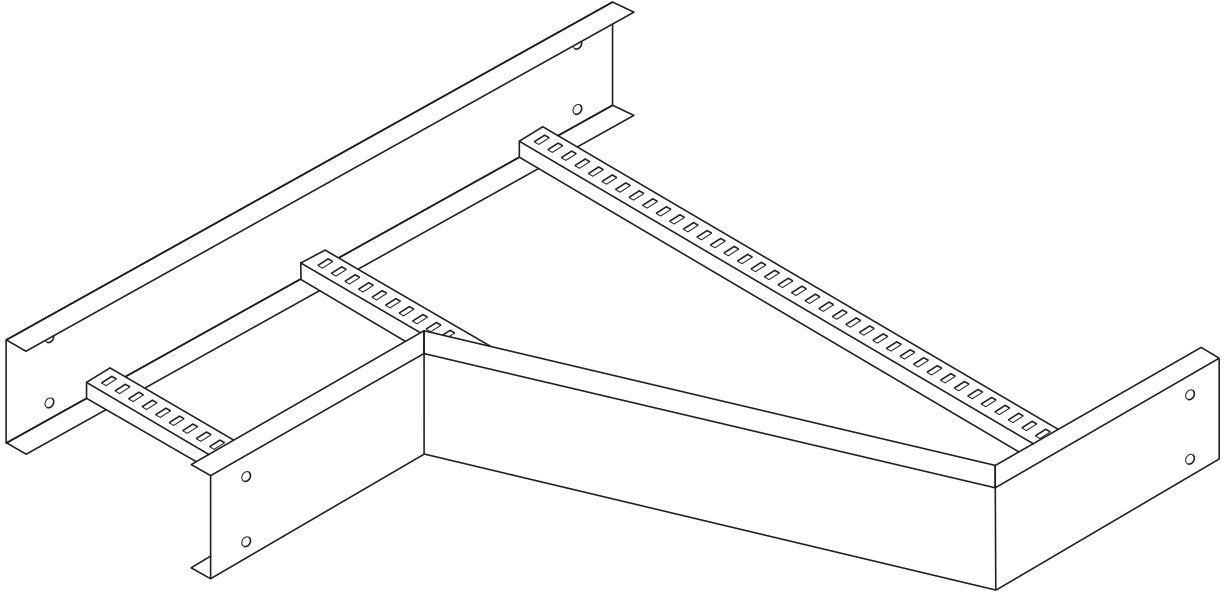
Horizontal Reducers - Left

Example Part No.: O1-H4F-24/12-LR-MS



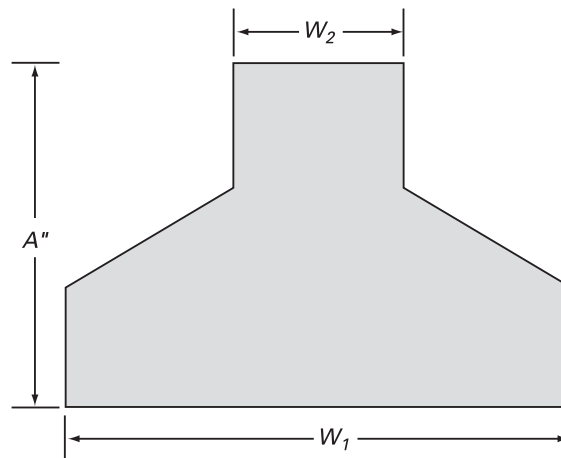
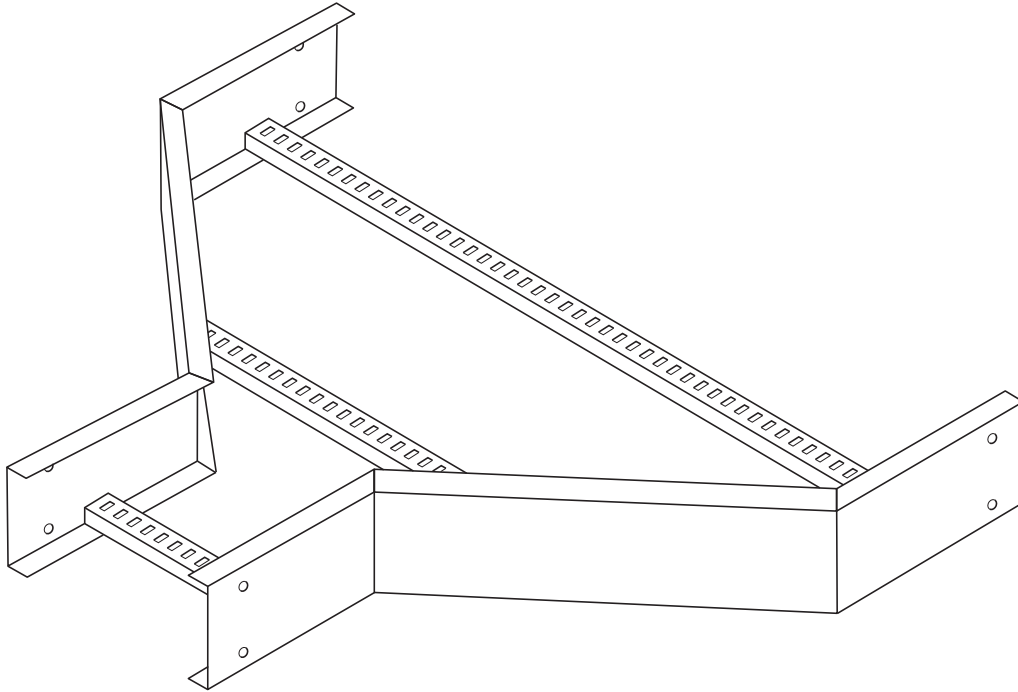
Horizontal Reducers - Right

Example Part No.: O1-H4F-24/12-RR-MS

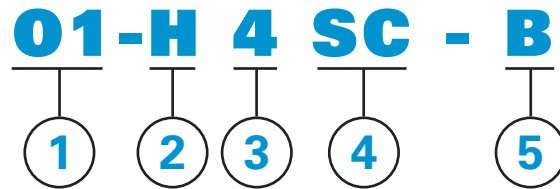


Horizontal Reducers - Straight

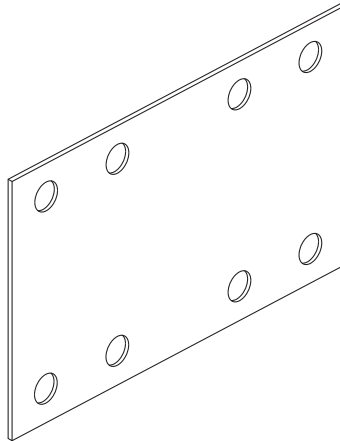
Example Part No.: O1-H4F-24/12-SR-MS



I-Beam Straight Section Splice Plate Part Numbering System Example Part No.: O1-H4SC-B



- 1** **Product Code**
O1 Ocean-1
- 2** **Material/Finish**
P Pre-Galvanized
H Hot Dipped Galvanized
S6 316 Stainless Steel
- 3** **Side Rail Height**
4 = 4"
5 = 5"
6 = 6"
7 = 7"
- 4** **Accessory Type**
SC Splice Connector
- 5** **Side Rail Type**
B I-Beam

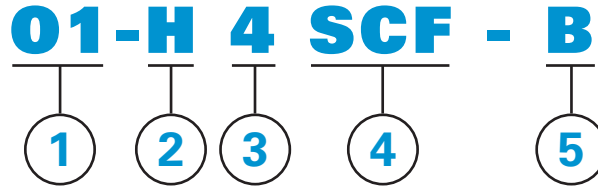


Note:

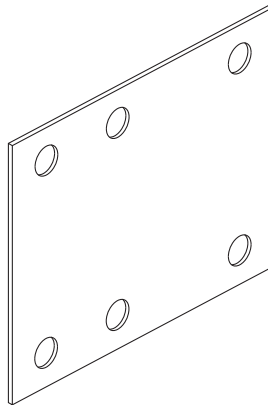
- 1. Sold in pairs
- 2. Includes Hardware

I-Beam Fitting Splice Plate Part Numbering System

Example Part No.: **O1-H4SCF-B**



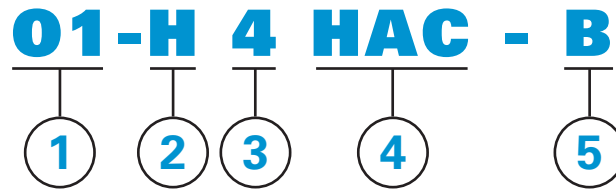
- | | |
|--|--|
| <p>1 Product Code
O1 Ocean-1</p> | <p>4 Accessory Type
SCF Splice Connector Fitting</p> |
| <p>2 Material/Finish
P Pre-Galvanized
H Hot Dipped Galvanized
S6 316 Stainless Steel</p> | <p>5 Side Rail Type
B I-Beam</p> |
| <p>3 Side Rail Height
4 = 4"
5 = 5"
6 = 6"
7 = 7"</p> | |



Note:

1. Sold in pairs
2. Includes Hardware

I-Beam Horizontal Adjustable Splice Plate Part Numbering System Example Part No.: O1-H4HAC-B



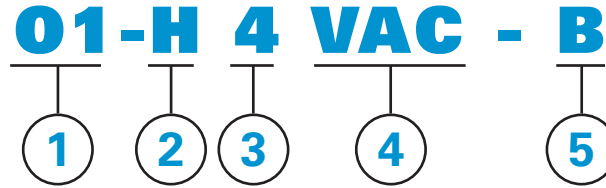
- 1 Product Code**
O1 Ocean-1
- 2 Material/Finish**
P Pre-Galvanized
H Hot Dipped Galvanized
S6 316 Stainless Steel
- 3 Side Rail Height**
4 = 4"
5 = 5"
6 = 6"
7 = 7"
- 4 Accessory Type**
HAC Horizontal Adjustable Connector
- 5 Side Rail Type**
B I-Beam

Note:

- 1. Sold in pairs
- 2. Includes Hardware

I-Beam Vertical Adjustable Splice Plate Part Numbering System

Example Part No.: **O1-H4VAC-B**

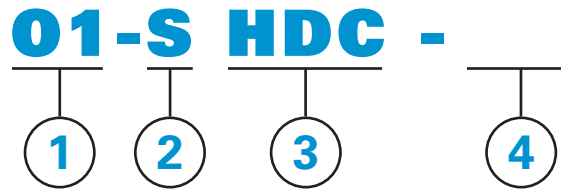


- | | |
|--|---|
| <p>1 Product Code
O1 Ocean-1</p> | <p>4 Accessory Type
VAC Vertical Adjustable Connector</p> |
| <p>2 Material/Finish
P Pre-Galvanized
H Hot Dipped Galvanized
S6 316 Stainless Steel</p> | <p>5 Side Rail Type
B I-Beam</p> |
| <p>3 Side Rail Height
4 = 4"
5 = 5"
6 = 6"
7 = 7"</p> | |

Note:

1. Sold in pairs
2. Includes Hardware

I-Beam Hold Down Clamp Part Numbering System Example Part No.: O1-SHDC

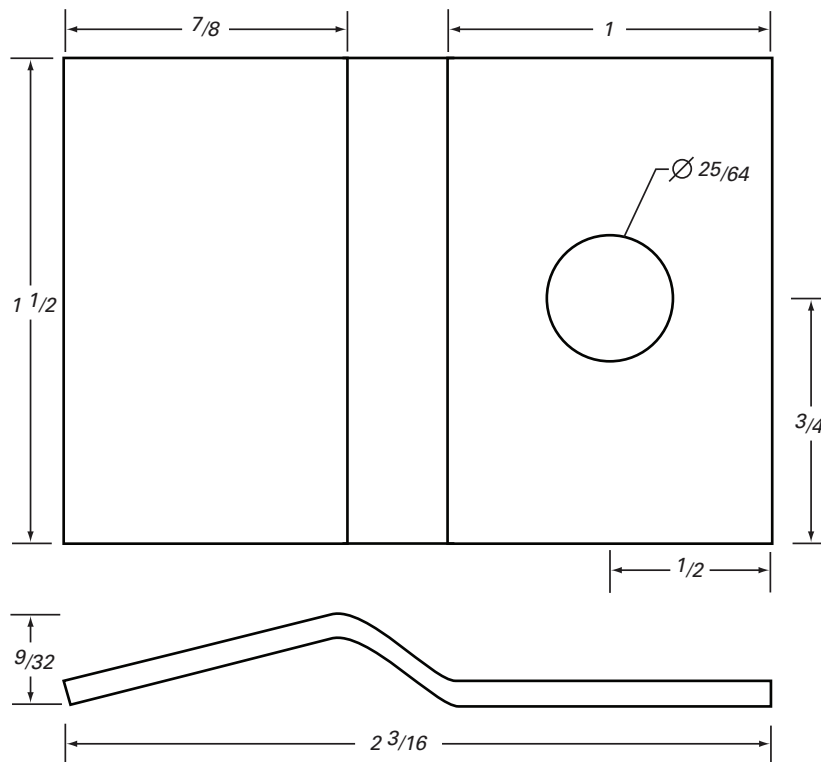


① **Product Code**
O1 Ocean-1

③ **Accessory Type**
HDC Hold Down Clamp

② **Material/Finish**
P Pre-Galvanized
S 316 Stainless Steel

④ **Kit**
KT Kit
(Add KT for kit which includes
3/8" hardware; flat washer,
spring nut & hex bolt)



Note:

1. Sold each